

# DENON

Hi-Fi Monaural Power Amplifier

## SERVICE MANUAL

# MODEL POA-6600

### SOLID STATE MONAURAL POWER AMPLIFIER



#### CONTENTS

|   |         |
|---|---------|
| SPECIFICATIONS .....                                    | 2       |
| NAME OF EACH PART .....                                 | 3       |
| CONNECTIONS .....                                       | 4, 5    |
| REMOVAL OF EACH SECTION .....                           | 6       |
| METHOD OF ADJUSTMENTS .....                             | 7       |
| TROUBLESHOOTING .....                                   | 8       |
| BLOCK DIAGRAM .....                                     | 9       |
| SEMICONDUCTORS .....                                    | 9       |
| PRINTED WIRING BOARD                                    |         |
| KU9117 POWER UNIT .....                                 | 10      |
| KU9118 P.S. UNIT .....                                  | 11      |
| PRINTED WIRING BOARD PARTS LIST .....                   | 12 ~ 15 |
| WIRING DIAGRAM .....                                    | 16      |
| SCHEMATIC DIAGRAM .....                                 | 17      |
| EXPLODED VIEW OF CHASSIS AND CABINET & PARTS LIST ..... | 18      |
| ADDENDUM LIST .....                                     | 19      |

## NIPPON COLUMBIA CO., LTD.

## SPECIFICATIONS

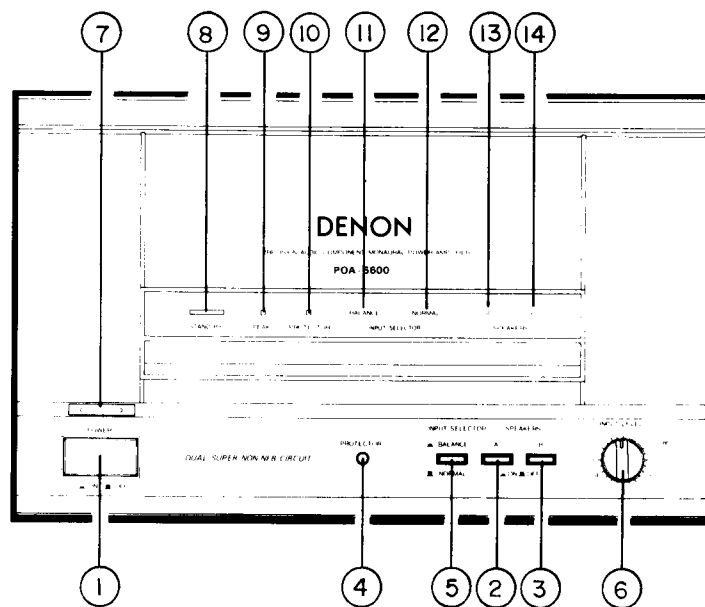
|                                    |  |                           |  |
|------------------------------------|--|---------------------------|--|
| <b>Rated output power:</b>         | 250 W min., RMS into 8 ohms from 20 Hz to 20 kHz with no more than 0.02% total harmonic distortion<br>450 W (4 ohm, DIN 1 kHz) | <b>S/N ratio:</b>         | 123 dB (IHF, A-weighting)  |
| <b>Dynamic power:</b>              | 650 W (at 4 ohm)<br>1100 W (at 1 ohm)  | <b>Slew rate:</b>         | $\pm 500$ V/ $\mu$ sec   |
| <b>Total harmonic distortion:</b>  | Less than 0.002%<br>(-3 dB at rated output, 8 ohm)   | <b>Output terminals:</b>  | Speakers<br>A or B 4 ohm ~ 16 ohm<br>A + B 8 ohm ~ 16 ohm  |
| <b>Intermodulation distortion:</b> | Less than 0.002%<br>(60 Hz/7 kHz: 4/1 at rated output, 8 ohms)   | <b>Power supply:</b>      | AC 220 V/50 Hz<br>(for European countries)<br>AC 240 V/50 Hz<br>(for U.K. and Australia)<br>AC 120 V/60 Hz<br>(for U.S.A. and Canada)<br>AC 110/120/220/240 V/50, 60 Hz<br>[for Asia (Multiple)] |
| <b>Power band width:</b>           | 5 Hz - 80 kHz<br>(8 ohms, THD 0.02%)   | <b>Power consumption:</b> | 7 A (for U.S.A. and Canada)<br>350 W (for IEC)<br>275 W (for Multiple)   |
| <b>Frequency response:</b>         | 1 Hz - 300 kHz + 0, -3 dB (at 1 W)   | <b>Dimensions:</b>        | 310 (W) x 207 (H) x 456 (D) mm<br>(Including control knobs and feet)   |
| <b>Input sensitivity:</b>          | 1 V (Normal in)<br>1 V (Balance in)  | <b>Weight:</b>            | 15.6 kg  |
| <b>Input impedance:</b>            | 25 k ohms (Normal in)<br>10 k ohms (Balance in)  |                           |  |
| <b>Output impedance:</b>           | 0.1 ohm (1 kHz)  |                           |  |

\* Design and specifications are subject to change without prior notice.

NOTE: The following codes correspond to the appropriate models.  
E2 for Europe, EU for U.S.A., EA for Australia, EK for U.K.  
E1 for Asia and EC for Canada.  
This Service Manual is prepared based on EU Black Version.

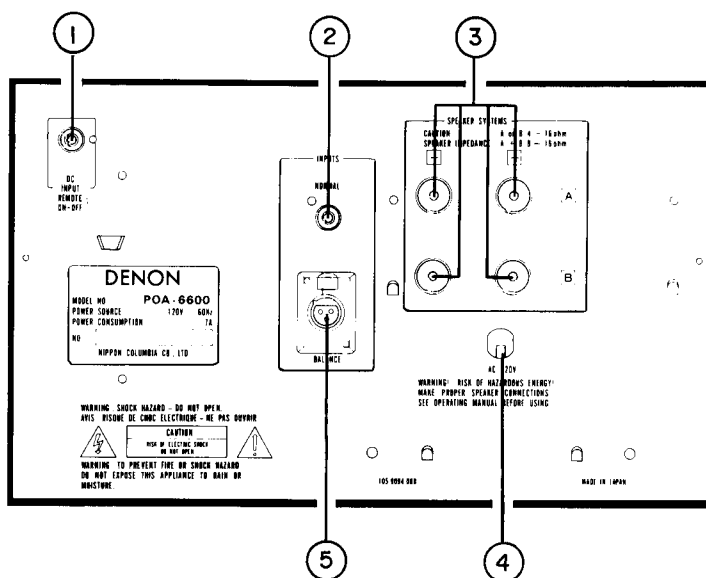
NAME OF EACH PART

• FRONT PANEL



- |  |              |               |
|--|--------------|---------------|
| ① POWER (Power Switch)                   | ⑧ STAND BY   | } (Indicator) |
| ② SPEAKERS-A (Speaker Select Switch-A)   | ⑨ PEAK       |               |
| ③ SPEAKERS-B (Speaker Select Switch-B)   | ⑩ PROTECTOR  |               |
| ④ PROTECTOR (Non-locking Switch)         | ⑪ BALANCE    |               |
| ⑤ INPUT SELECTOR (Input Selector Switch) | ⑫ NORMAL     |               |
| ⑥ INPUT LEVEL (Input Level Control)      | ⑬ SPEAKERS-A |               |
| ⑦ POWER INDICATOR                        | ⑭ SPEAKERS-B |               |

• BACK PANEL



- ① DC INPUT TERMINAL
- ② NORMAL (Normal Input Jack)
- ③ SPEAKER SYSTEMS (Speaker Terminals)
- ④ AC CORD (Power Cord)
- ⑤ BALANCE

## CONNECTIONS

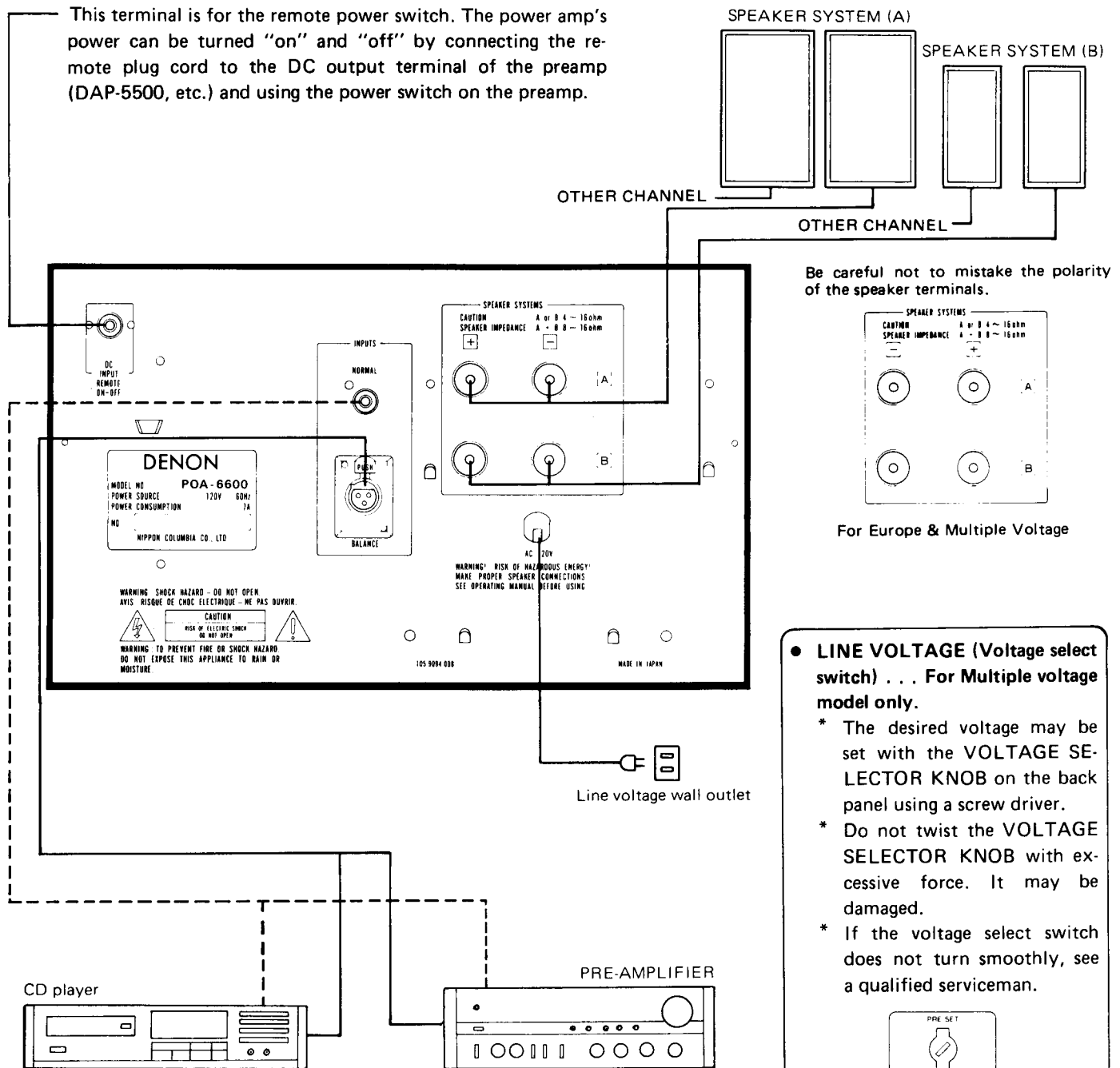
### Notes on Connection

- Do not plug the power supply cord into the wall socket, until all the connections are complete.
- Plug the pins in securely. An incomplete connection will cause noise generation.
- Binding the pin plug to the power supply cord, or setting the pin cord close to the power supply transformer will cause humming or noise, and should be avoided.

### Connection to the speaker system

Connect the speaker system for the left channel (the left side as viewed facing the front) to the L speaker terminal on the back panel, and the speaker system for the right channel into the R terminal. There are two sets of **SPEAKERS** terminals. If only one speaker system is to be used, connect it to the **SYSTEM (A)** terminals.

This terminal is for the remote power switch. The power amp's power can be turned "on" and "off" by connecting the remote plug cord to the DC output terminal of the preamp (DAP-5500, etc.) and using the power switch on the preamp.



**• LINE VOLTAGE (Voltage select switch) . . . For Multiple voltage model only.**

- The desired voltage may be set with the **VOLTAGE SELECTOR KNOB** on the back panel using a screw driver.
- Do not twist the **VOLTAGE SELECTOR KNOB** with excessive force. It may be damaged.
- If the voltage select switch does not turn smoothly, see a qualified serviceman.

- **Connection to the speaker system**

- When connecting the speaker terminals to the speaker systems, make certain to connect the polarities correctly (+ to + and - to -). If the polarities are incorrect when the two are connected, the center area of the sound will be lacking, the positions of the musical instruments will not be clear, and the stereo directional sensitivity will be impaired.
- During connection, be careful that the center wires in the speaker cords do not protrude from the terminals to contact any other terminal, and that the central wires in the separate speaker cords do not contact each other.

- **Speaker impedance**

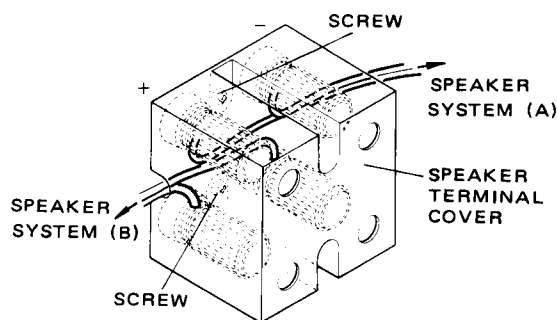
- When the A and B terminal sets are to be used separately, the speakers that are to be connected should have a nominal impedance of 4 to 16 ohm.
- When the two sets (A + B) are to be used at the same time, use of speakers whose impedance is outside the range from 8 to 16 ohm will result in malfunction. Be careful not to let this happen.
- Speakers with a lower impedance may cause the protective circuitry to operate.

**Models for the U.S.A. and Canada only. (Case of UL standardized articles)**
**WARNING!**

This amplifier produces a large power output at the speaker terminals, which means that a dangerous amount of energy is generated and that there is the danger of electric shock. Please perform the speaker cord connections correctly as follows.

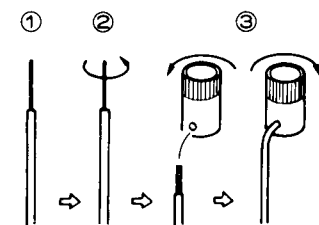
(Making connections that differ from the specified method may give rise to a shock hazard.)

- 1) For the speaker connection cord, use a cord made with non-combustible insulation material with a VW-1 rating or a cord of the SPT-1 type or one with higher flexibility.
- 2) Use a screwdriver to take the screws holding the speaker terminal cover out.
- 3) Connect the speaker cord specified in 1) to the speaker terminals.
- 4) Tie the speaker cord, then pass it through the cutout hole in the speaker terminal cover.
- 5) Install the speaker terminal cover removed in 2).


**Models for destinations other than the U.S.A. and Canada.**

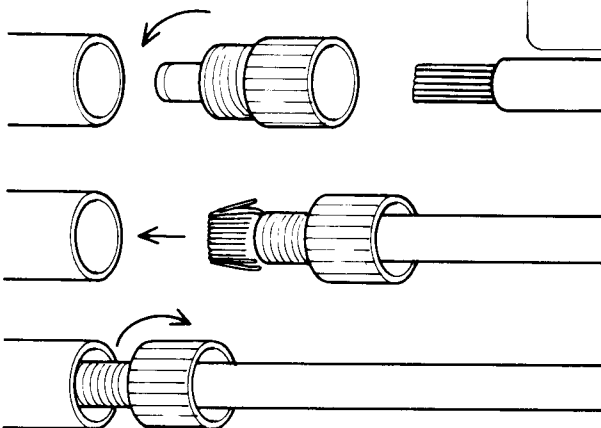
- **For regular cords**

1. Remove the insulation from the end of each cord.
2. Twist the center wire.
3. Turn the speaker terminal to loosen it, insert the center wire of the cord, and then tighten the terminal to hold the wire in place.



- **For extra-large cords**

1. Remove the insulation from the end of the cord. Loosen and remove the end of the speaker terminal.
2. Insert the center wire, and bend back the wire.
3. Insert the cord in the terminal, and turn the terminal to the right to tighten it.

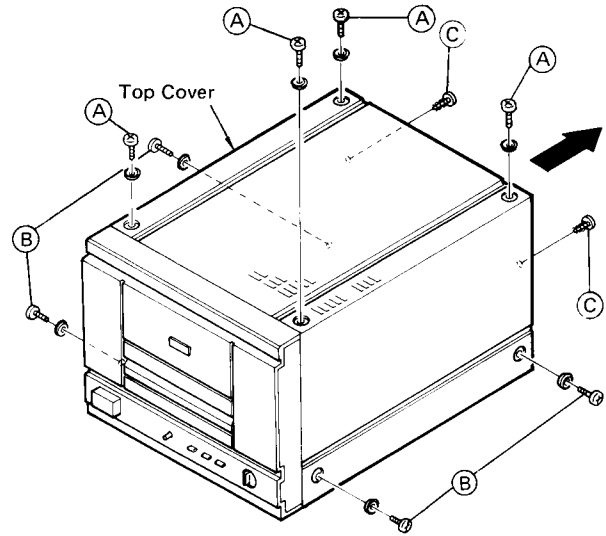

**Note:**

The knob on this speaker terminal can be removed from the Amplifier. Be careful not to lose these knobs, or mix up the left and right sides or polarities. Follow the indication provided on the back panel for proper handling.

## REMOVAL OF EACH SECTION

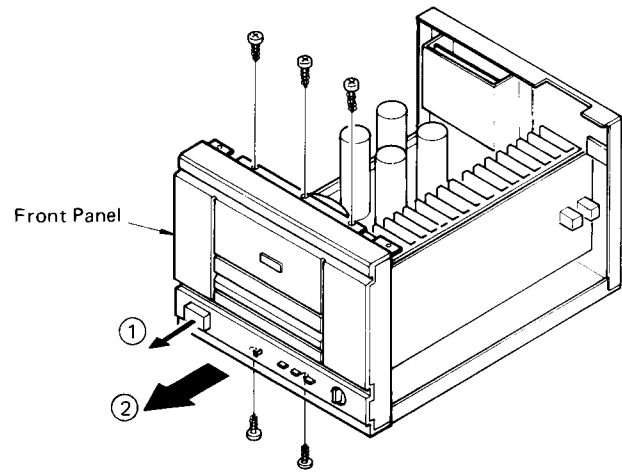
### 1. Top Cover

Remove 4 screws with washers (A) from the both side, 4 screws with washers (B) from left and right side and 2 screws (C) from the backside and detach the top cover in the direction arrow shows.



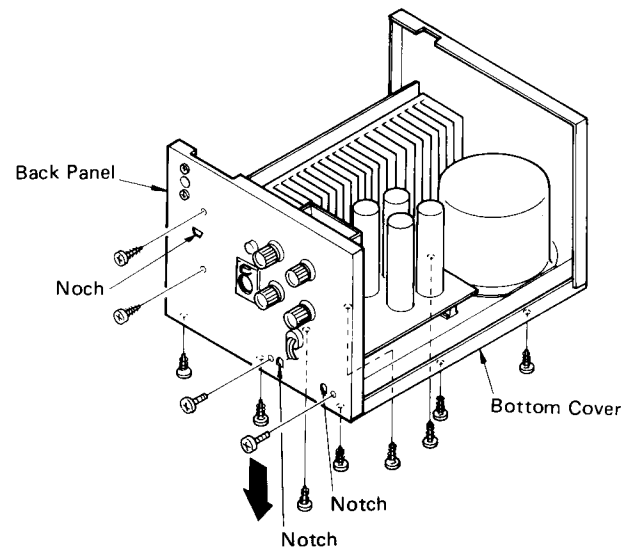
### 2. Front Panel

- 1) Pull out the Power Knob picking up by hand. (As the power switch is easily broken).
- 2) Unfasten 2 screws from the bottom, 3 screws from the top, and dismantle the Front Panel in the direction arrow shows.



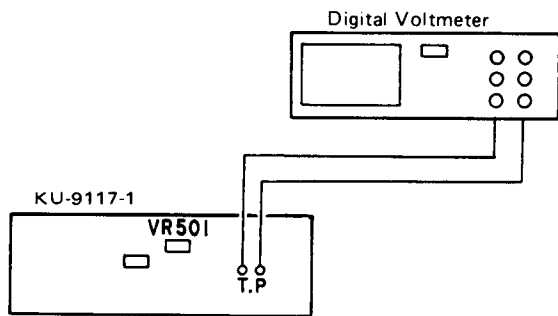
### 3. Back Panel

Remove 8 screws from the bottom, and take out the Bottom Cover. Then remove 4 screws from the back panel, and detach the Back Panel out of the 3 notches in the direction as arrow shows.



## METHOD OF ADJUSTMENTS

### 1. Adjustment of Idle Current (KU9117-1)

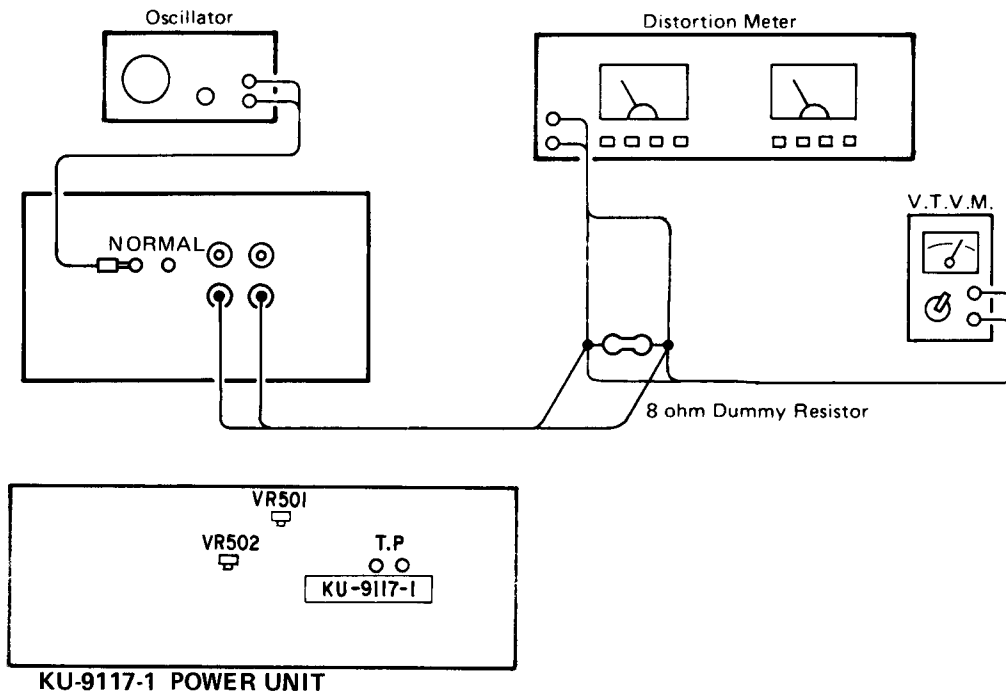


- (1) Connect a digital voltmeter to the test point.
- (2) Turn the unit power on.
- (3) Wait 2 ~ 3 minutes for warm-up, rotate VR501 and adjust voltage value on the meter to  $8\text{ mV} \pm 1\text{ mV}$ .

### 2. Adjustment of Neutral Point Voltage

- (1) Connect a digital voltmeter to the SPEAKER terminal.
- (2) Turn the unit power on.
- (3) Turn the LEVEL controls on the back panel fully clockwise (maximum).
- (4) Confirm the voltage on the meter indicates within  $\pm 100\text{ mV}$  value.

### 3. Adjustment of Distortion Factor (KU-9117-1)



- (1) Set an oscillator output to "NORMAL" and feed it.  
Each speaker output to connect — 8 ohm dummy resistor  
— Distortion meter  
— V.T.V.M.
- (2) Turn the unit power on, and set the LEVEL controls to maximum.
- (3) In the first place confirm that there's no dropping of supply voltage, then set the oscillator frequency to 20 kHz and adjust output of oscillator to obtain 31.6V for speaker output.
- (4) Adjust VR502 on the KU-9117-1 for minimum distortion. Distortion factor must be no more than 0.005% at this time.

## TROUBLESHOOTING

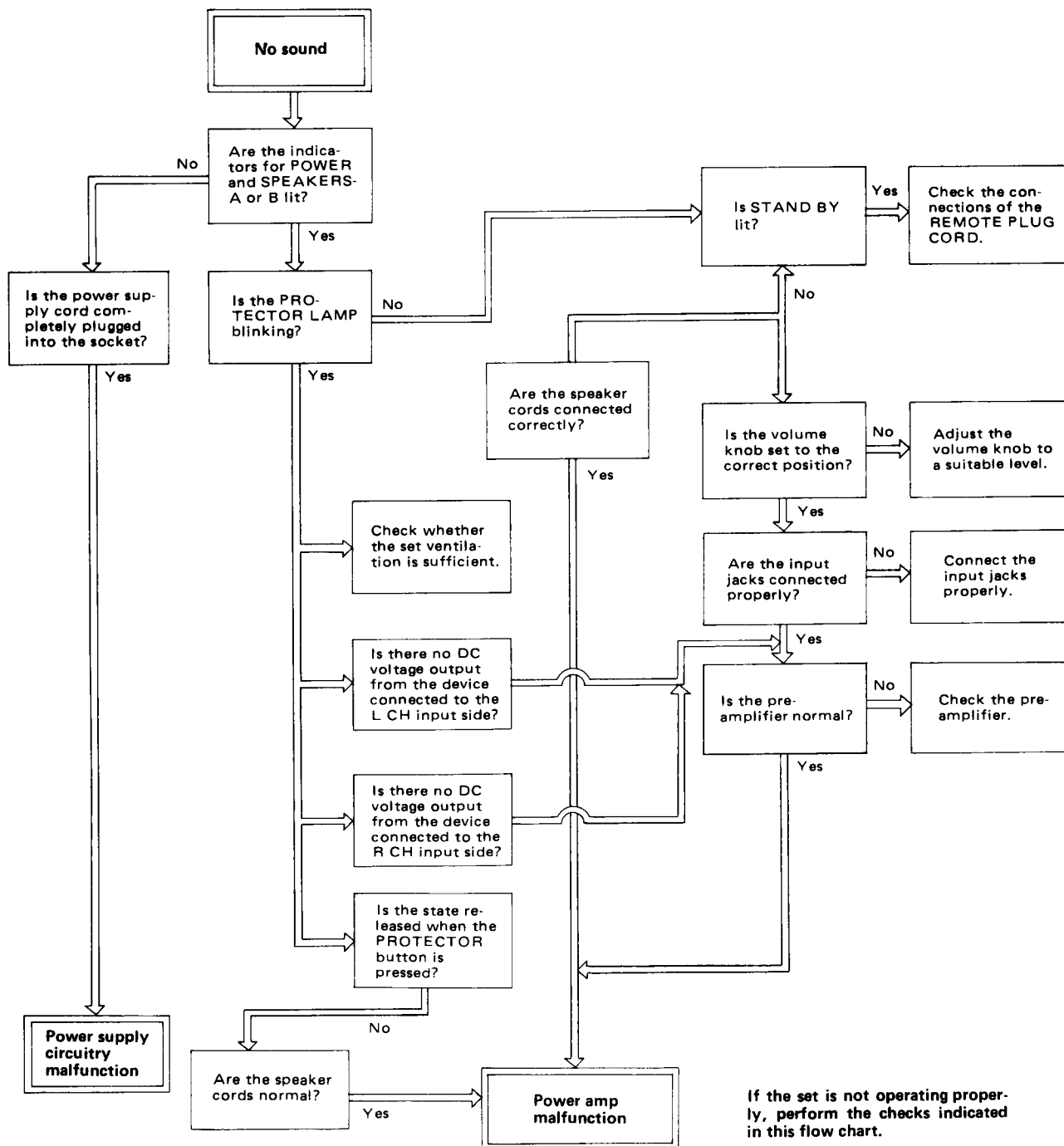
Before troubleshooting, be sure to check whether your audio system is really the source of the problem.

If you think the amplifier is out of order, first check the following one more time:

1. Are all the connections correctly made?
2. Is the set being operated properly in accordance with the Operating Manual?
3. Are the speakers and preamplifier being operated correctly?

If the set does not operate properly, perform the checks indicated in the flow chart below.

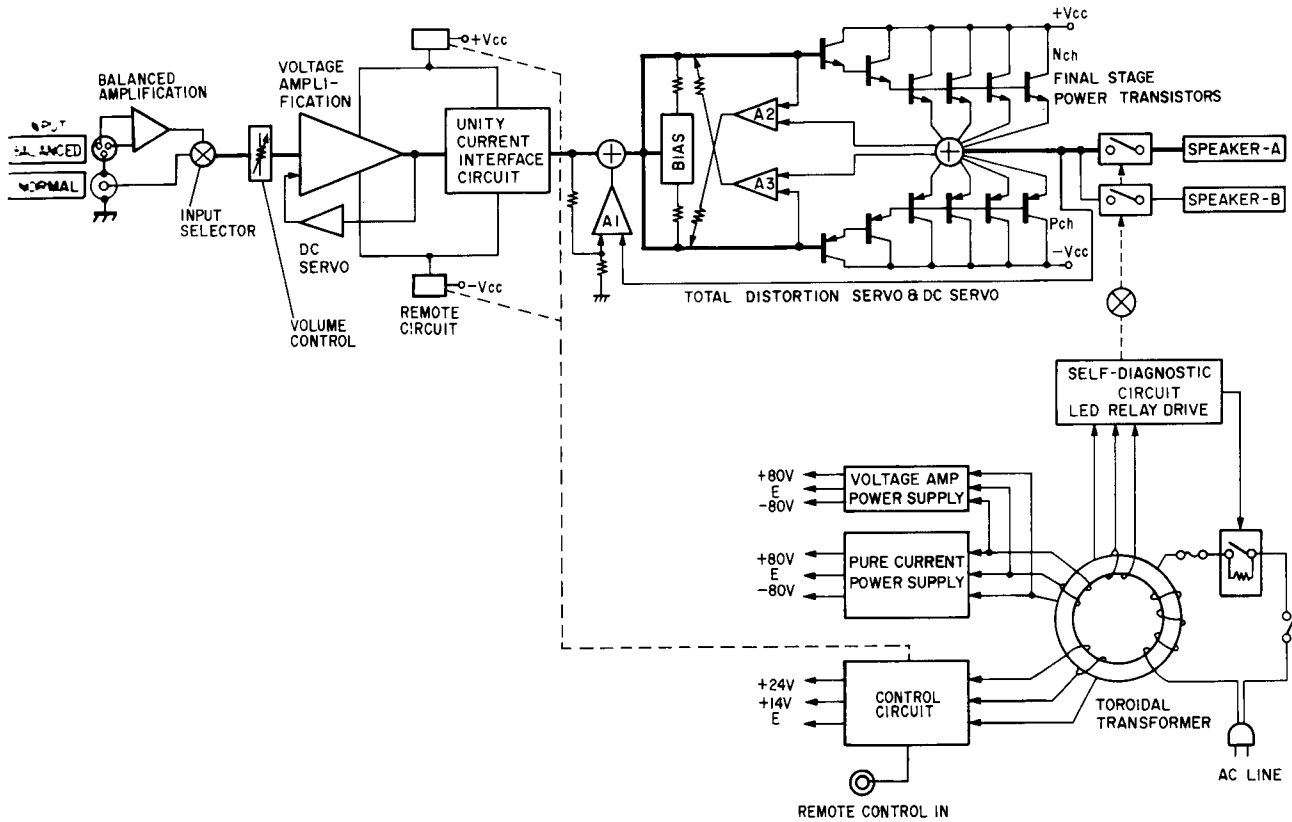
If none of the items listed apply to the difficulty, the amplifier is probably out of order. Turn off the power immediately, and contact the outlet where you purchased the amplifier or your nearest DENON dealer.



If the set is not operating properly, perform the checks indicated in this flow chart.



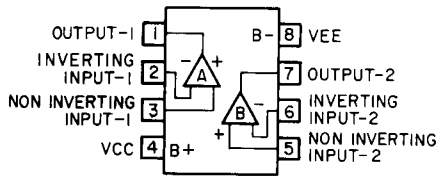
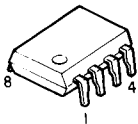
# BLOCK DIAGRAM



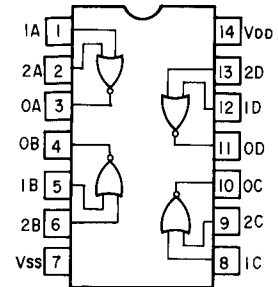
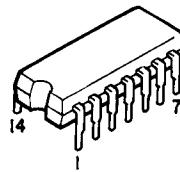
## SEMICONDUCTORS

### • IC

NJM-2068DA (JRC)  
 NJM-082DT/BD (JRC)  
 M-5218P (Mitsubishi)

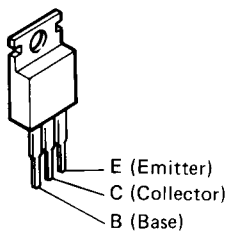


HD14001BP  
 (Hitachi)

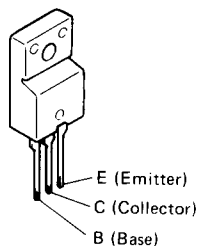


### • Transistor

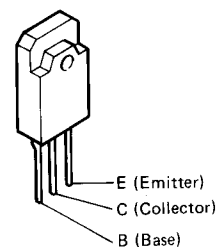
2SC2238B (Y)  
 2SA968B (Y)



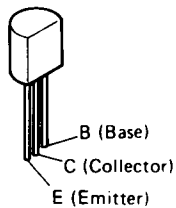
2SC3852



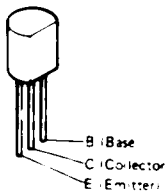
2SA1492LB(O/P/Y)  
 2SC3856LB(O/P/Y)



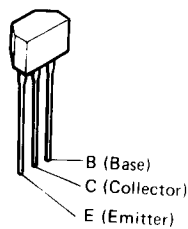
2SC1815 (BL)  
2SC2878 (A/B)  
2SA988 (E/F)



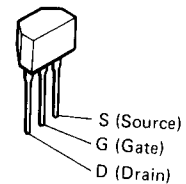
2SC2705(O/Y)  
2SC3334  
2SA1321



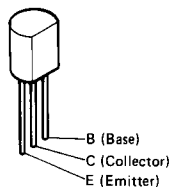
2SC2458(BL)



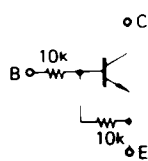
2SK184C(Y/GR/BL)



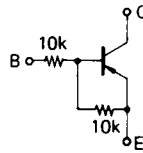
RN1202 (10K-10K)NPN  
RN2202 (10K-10K)PNP



RN1202

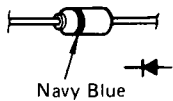


RN2202

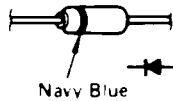


•Diode

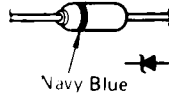
1SS270A



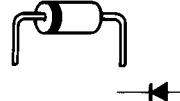
1S2076A



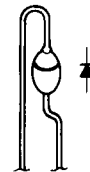
HZ-5C-1  
HZ7B-3  
HZ9B-2  
HZ15-2



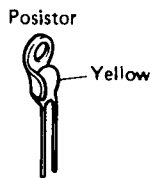
RM-4Y-LF-J1



DSA1A2(Type-3)

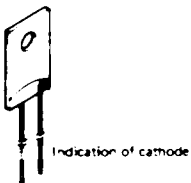


PTH487A01BD222TS

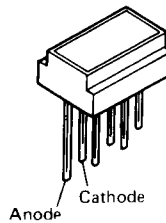


MV-1YH

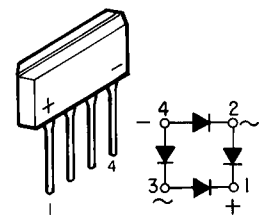
Indication of cathode, white



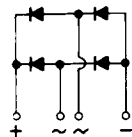
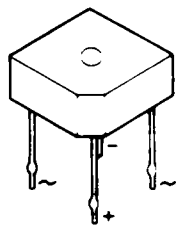
SLF-406  
SLF-206B



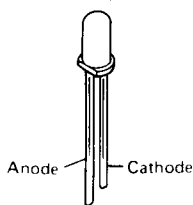
1D4B41



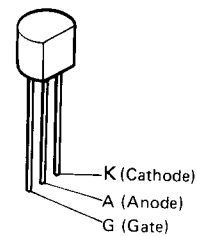
4D4B42(LCI)



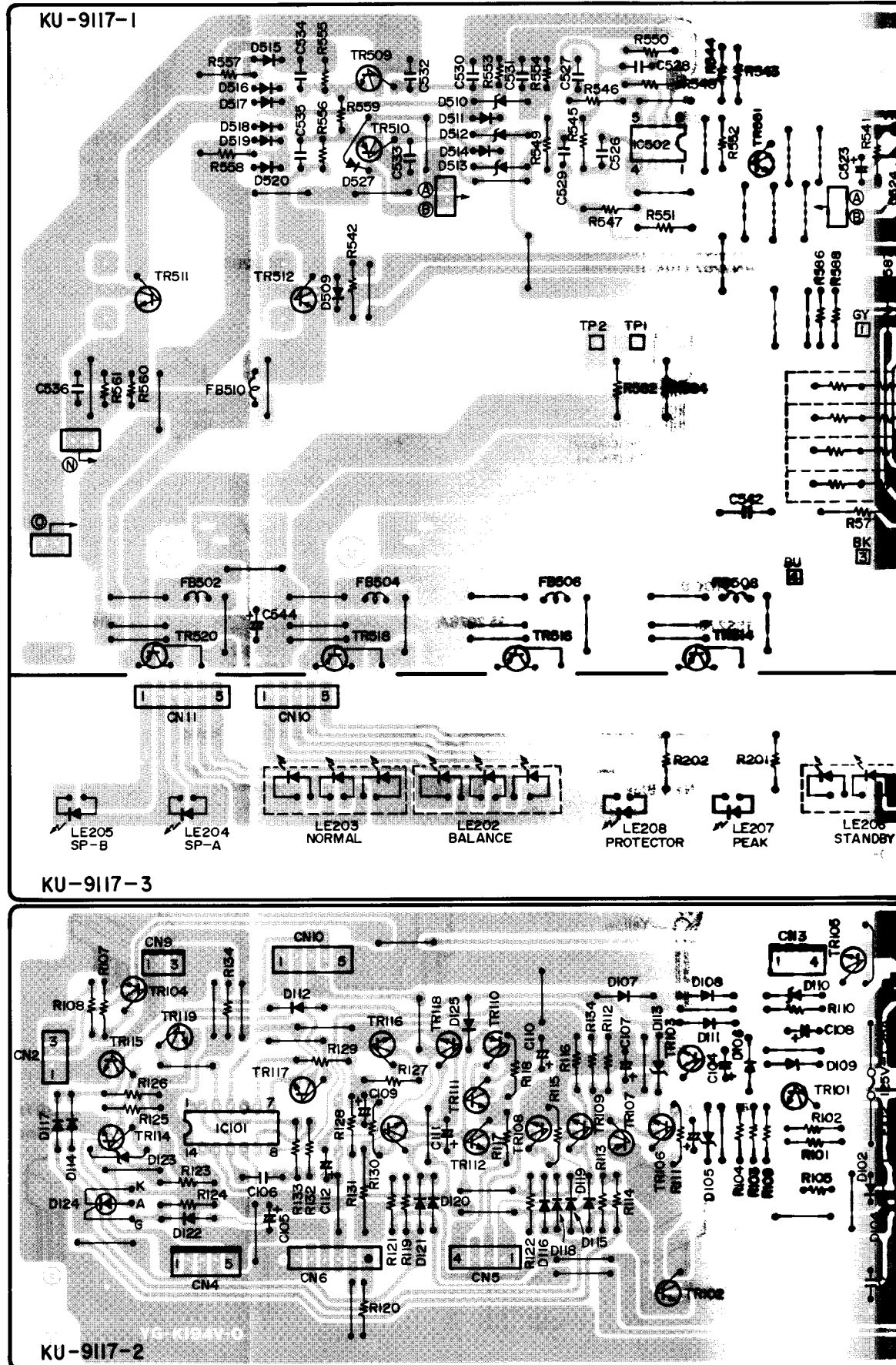
SEL-4910A  
SEL-4110S



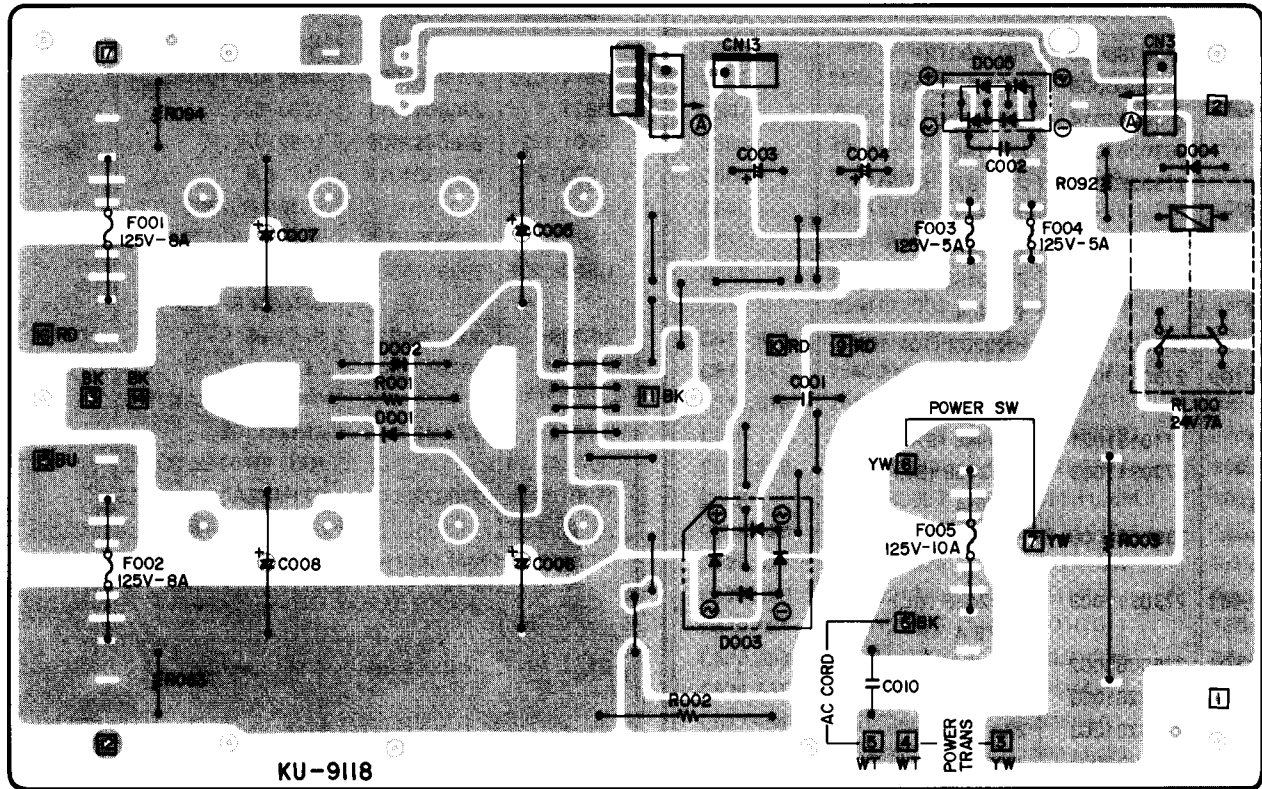
SFOR1A42  
Thyristor



PRINTED WIRING BOARD  
KU9117 POWER UNIT



# KU9118 P.S. UNIT



PRINTED WIRING BOARD PARTS LIST

KU9117 POWER PARTS LIST

| Ref. No.                    | Part No.   | Part Name               | Remarks |
|-----------------------------|------------|-------------------------|---------|
| <b>SEMICONDUCTORS GROUP</b> |            |                         |         |
| IC101                       | 2620298009 | HD14001BP               |         |
| IC401                       | 2630466009 | NJM-2068DA              |         |
| IC501                       | 2630244014 | NJM082DT/BD             |         |
| IC502                       | 2630257001 | M5218P                  |         |
| TR101                       | 2730253015 | 2SC2878 (A/B)<br>TYPE 2 |         |
| TR102                       | 2730330006 | 2SC3852                 |         |
| TR103~<br>106               | 2730317003 | 2SC2458 (BL)<br>TYPE 4  |         |
| TR107                       | 2690026007 | RN2202 (10k-10k)        |         |
| TR108,109                   | 2730317003 | 2SC2458 (BL)<br>TYPE 4  |         |
| TR110                       | 2710131021 | 2SA988 (E/F)            |         |
| TR111~<br>115               | 2730317003 | 2SC2458 (BL)<br>TYPE 4  |         |
| TR116~<br>119               | 2690025008 | RN1202 (10k-10k)        |         |
| TR451,452                   | 2730317003 | 2SC2458 (BL)<br>TYPE 4  |         |
| TR500,501                   | 2750055002 | 2SK184C (Y/GR/BL)       |         |
| TR502,503                   | 2730281003 | 2SC2705 (O/Y)           |         |
| TR504,505                   | 2710201003 | 2SA1321                 |         |
| TR506,507                   | 2730332004 | 2SC3334                 |         |
| TR508                       | 2710201003 | 2SA1321                 |         |
| TR509                       | 2730332004 | 2SC3334                 |         |
| TR510                       | 2710201003 | 2SA1321                 |         |
| TR511                       | 2730259006 | 2SC2238B (Y)            |         |
| TR512                       | 2710151001 | 2SA968B (Y)             |         |
| TR521                       | 2710131021 | 2SA988 (E/F)            |         |
| TR522                       | 2730332004 | 2SC3334                 |         |
| TR523                       | 2710201003 | 2SA1321                 |         |
| TR524                       | 2710131021 | 2SA988 (E/F)            |         |
| TR525                       | 2730332004 | 2SC3334                 |         |
| TR551                       | 2730198015 | 2SC1815 (BL)            |         |
| D101,102                    | 2760427015 | DSA1A2 (TYPE-3)         |         |
| D103,104                    | 2760049011 | 1S2076A                 |         |
| D105                        | 2760253011 | HZ15-2                  |         |
| D106~109                    | 2760049011 | 1S2076A                 |         |
| D110                        | 2760236031 | HZ5C-1                  |         |
| D111,112                    | 2760049011 | 1S2076A                 |         |
| D113                        | 2760254000 | HZ7B-3                  |         |
| D114~122                    | 2760049011 | 1S2076A                 |         |
| D123                        | 2760218033 | HZ9B-2                  |         |
| D124                        | 2790016001 | SF0R1A42                |         |
| D126~128                    | 2760049011 | 1S2076A                 |         |
| D501,502                    | 2760253001 | HZ15-2                  |         |
| D503~505                    | 2760432000 | 1SS270A                 |         |
| D506,507                    | 2760253001 | HZ15-2                  |         |
| D508                        | 2760432000 | 1SS270A                 |         |
| D509                        | 2760388002 | MV-1 YH                 |         |
| D510                        | 2760236031 | HZ5C-1                  |         |
| D511                        | 2760432000 | 1SS270A                 |         |

| Ref. No.  | Part No.                 | Part Name                  | Remarks |
|-----------|--------------------------|----------------------------|---------|
| D512,513  | 2760254000<br>2760236031 | HZ7B-3<br>HZ-5C-1          | for E2  |
| D514~526  | 2760432000               | 1SS270A                    |         |
| D527      | 2760049011               | 1S2076A                    |         |
| D701,702  | 2760432000               | 1SS270A                    |         |
| LE201     | 3939364018               | SLF-406<br>(POWER LED)     |         |
| LE202,203 | 3939364005               | SLF-206B                   |         |
| LE204,205 | 3939375007               | SEL-4910A<br>GREEN SP A/B  |         |
| LE206     | 3939364018               | SLF-406                    |         |
| LE207     | 3939375007               | SEL-4910A<br>ORANGE PEAK   |         |
| LE208     | 3939373009               | SEL-4110S<br>RED PROTECTOR |         |
| P-001     | 2760289004               | PTH487A01BD222TS           |         |

**RESISTORS** (not included Carbon Film  $\pm 5\%$ , 1/4W type)

|            |            |                 |                          |
|------------|------------|-----------------|--------------------------|
| Δ R108     | 2412387908 | RD14B2E010JNBST | 1Ω, ¼W, ±5%              |
| Δ R131     | 2440042024 | RS14B3A122JNBF  | 1.2kΩ, 1W, ±5%           |
| Δ R453     | 2440035028 | RS14B3A331JNBF  | 330Ω, 1W, ±5%            |
| Δ R505,506 | 2412389983 | RD14B2E222JNBST | 2.2kΩ, ¼W, ±5%           |
| Δ R507     | 2412378917 | RD14B2E201JNBST | 200Ω, ¼W, ±5%            |
| Δ R515,516 | 2412378904 | RD14B2E181JNBST | 180Ω, ¼W, ±5%            |
| Δ R518     | 2412379981 | RD14B2E821JNBST | 820Ω, ¼W, ±5%            |
| Δ R520     | 2412377947 | RD14B2E101JNBST | 100Ω, ¼W, ±5%            |
| Δ R523     | 2412377947 | RD14B2E101JNBST | 100Ω, ¼W, ±5%            |
| Δ R525,526 | 2412375981 | RD14B2E220JNBST | 22Ω, ¼W, ±5%             |
| Δ R527,528 | 2412387908 | RD14B2E010JNBST | 1Ω, ¼W, ±5%              |
| Δ R529~532 | 2440044022 | RS14B3A162JNBF  | 1.8kΩ, 1W, ±5%           |
| Δ R534     | 2412377947 | RD14B2E101JNBST | 100Ω, ¼W, ±5%            |
| Δ R536     | 2412379987 | RD14B2E102JNBST | 1kΩ, ¼W, ±5%             |
| Δ R537~540 | 2412381946 | RD14B2E472JNBST | 4.7kΩ, ¼W, ±5%           |
| Δ R553,554 | 2412379987 | RD14B2E102JNBST | 1kΩ, ¼W, ±5%             |
| Δ R555,556 | 2412377947 | RD14B2E101JNBST | 100Ω, ¼W, ±5%            |
| Δ R524     | 2442044020 | RS14B3A101JNBST | 100Ω, 1W, ±5% (UL Model) |

| Ref. No.  | Part No.   | Part Name       | Remarks            |
|-----------|------------|-----------------|--------------------|
| ▲R569     | 2412379903 | RD14B2E471JNBST | 470Ω, %W, ±5%      |
| ▲R560     | 2412377947 | RD14B2E101JNBST | 100Ω, %W, ±5%      |
| ▲R562,563 | 2412378964 | RD14B2E470JNBST | 47Ω, %W, ±5%       |
| R564~567  | 2432033038 | RW---3DR18R18   | 0.18Ω×2, 2W        |
| ▲R568     | 2412377934 | RD14B2E910JNBST | 91Ω, %W, ±5%       |
| ▲R573     | 2412370038 | RD14B2E392JNB   | 3.9kΩ, %W, ±5%     |
| ▲R575,576 | 2440052027 | RS14B3A822JNB   | 8.2kΩ, 1W, ±5%     |
| ▲R577     | 2440021029 | RS14B3A220JNB   | 22Ω, 1W, ±5%       |
| ▲R578     | 2412379945 | RD14B2E681JNBST | 680Ω, %W, ±5%      |
| ▲R591,592 | 2440106025 | RS14B3D472JNB   | 4.7kΩ, 2W, ±5%     |
| ▲R593     | 2412378804 | RD14B2E181JNBST | 180Ω, %W, ±5%      |
| ▲R594     | 2412379945 | RD14B2E681JNBST | 680Ω, %W, ±5%      |
| ▲R601~603 | 2412387940 | RD14B2E4R7JNBST | 4.7Ω, %W, ±5%      |
| ▲R704     | 2440025025 | RS14B3A470JNB   | 47Ω, 1W, ±5%       |
| VR401     | 2119053001 | V16V35FB503     | 50kΩ               |
| VR501     | 2116014072 | V09QB103        | 10kΩ, } semi-fixed |
| VR502     | 2116014069 | V09QB201        | 200Ω, } resistor   |

**CAPACITORS GROUP**

|          |            |               |                  |
|----------|------------|---------------|------------------|
| ▲C009    | 2538003014 | CK45E2SAD472M | 0.0047μF/400V AC |
| C101     | 2554079048 | CQ93P2A103J   | 0.01μF/100V      |
| C102     | 2544258099 | CE04W1V102M   | 1000μF/35V       |
| C103     | 2544260032 | CE04W1HR47M   | 0.47μF/50V       |
| C104     | 2544258057 | CE04W1V101M   | 100μF/35V        |
| C105     | 2544260045 | CE04W1H010M   | 1μF/50V          |
| C106     | 2561035017 | CF93A1H224J   | 0.22μF/50V       |
| C107     | 2544254022 | CE04W1C330M   | 33μF/16V         |
| C108     | 2544250039 | CE04W0J221M   | 220μF/6.3V       |
| C109     | 2544258002 | CE04W1V4R7M   | 4.7μF/35V        |
| C110     | 2544250026 | CE04W0J101M   | 100μF/6.3V       |
| C111     | 2544254006 | CE04W1C100M   | 10μF/16V         |
| C112     | 2544260087 | CE04W1H100M   | 10μF/50V         |
| C113     | 2544258947 | CE04W1V470M   | 47μF/35V         |
| C120     | 2544260058 | CE04W1H2R2M   | 2.2μF/50V        |
| C301,302 | 2544195929 | CE04W1V100M   | 10μF/35V         |
| C303,304 | 2551134038 | CQ92M1H223J   | 0.022μF/50V      |
| C402     | 2554121006 | CQ93P1H101J   | 100pF/50V        |
| C403,404 | 2544260087 | CE04W1H100M   | 10μF/50V         |
| C501     | 2544260087 | CE04W1H100M   | 10μF/50V         |
| C502     | 2554129008 | CQ93P1H221J   | 220pF/50V        |
| C503     | 2554137003 | CQ93P1H471J   | 470pF/50V        |

| Ref. No. | Part No.   | Part Name     | Remarks      |
|----------|------------|---------------|--------------|
| C504     | 2554141002 | CQ93P1H681J   | 680pF/50V    |
| C505     | 2551120084 | CQ93M1H472J   | 4700pF/50V   |
| C506     | 2534262008 | CC45SL2H030C  | 3pF/500V     |
| C507     | 2543016067 | CE04D1H100MBP | 10μF/50V     |
| C508     | 2544260087 | CE04W1H100M   | 10μF/50V     |
| C509     | 2534269001 | CC45SL2H100D  | 10pF/500V    |
| C510     | 2554121006 | CQ93P1H101J   | 100pF/50V    |
| C511     | 2534465902 | CC45SL2H050C  | 5pF/500V     |
| C512     | 2551134025 | CQ92M1H103J   | 0.01μF/50V   |
| C513     | 2554137003 | CQ93P1H471J   | 470pF/50V    |
| C514,515 | 2551135095 | CQ92M1H563J   | 0.056μF/50V  |
| C516,517 | 2543046008 | CE04D2A010MBP | 1μF/100V     |
| C518,519 | 2544256059 | CE04W1E221M   | 220μF/25V    |
| C520     | 2534281005 | CC45SL2H330J  | 33pF/500V    |
| C521,522 | 2554121006 | CQ93P1H101J   | 100pF/50V    |
| C523     | 2544260087 | CE04W1H100M   | 10μF/50V     |
| C524,525 | 2544181001 | CE04W2A010M   | 1μF/100V     |
| C526,527 | 2551134025 | CQ92H1H103J   | 0.01μF/50V   |
| C528,529 | 2561034076 | CF93A1H104J   | 0.1μF/50V    |
| C530,531 | 2554121006 | CQ93P1H101J   | 100pF/50V    |
| C532,533 | 2534281005 | CC45SL2H330J  | 33pF/500V    |
| C534,535 | 2554137003 | CQ93P1H471J   | 470pF/50V    |
| C537~541 | 2551134025 | CQ92M1H103J   | 0.01μF/50V   |
| C542     | 2554079048 | CQ73P2A103J   | 0.01μF/100V  |
| C543,544 | 2543046930 | CE04D2A100MBP | 10μF/100V    |
| C545     | 255        | CQ92M1H103J   | 0.01μF/50V   |
| C545,546 | 2531052004 | CK45E2H472P   | 4700pF/500V  |
| C547     | 2544260087 | CE04W1H100M   | 10μF/50V     |
| C591     | 2544195929 | CE04W1V100M   | 10μF/35V     |
| C701     | 2554080024 | CQ93P2A223J   | 0.022μF/100V |

**SWITCHES & COILS & RELAYS GROUPS**

|           |            |                   |            |
|-----------|------------|-------------------|------------|
| L501      | 2350016917 | INDUCTOR (180k)   |            |
| L701,702  | 2359001004 | INDUCTOR          |            |
| ▲SW001    | 2129534002 | POWER SW (PUSH)   |            |
| SW401     | 2129554008 | 4P PUSH SWITCH    |            |
| FB501,502 | 2359006009 | BL02RN1-R62       |            |
| RL501     | 2149013008 | RELAY (BSR-H-12S) | (UL Model) |
| RL701,702 | 2140041008 | RELAY             |            |

**OTHER PARTS GROUP**

|           |            |                                |   |
|-----------|------------|--------------------------------|---|
|           | 4170253000 | RADIATOR                       | 2 |
|           | 4700012022 | Cross Pan Screw with SW, W3x12 | 2 |
|           | 4756008006 | φ4 NUT                         | 1 |
|           | 1469123006 | SLS-34                         | 4 |
|           | 2048248000 | 1P CONNECTOR                   | 1 |
|           |            | BASE                           |   |
|           | 2048101008 | 2P POWER JACK                  | 1 |
| ▲F101,102 | 2061039047 | FUSE 1.25A                     | 2 |

**KU9117B for E2**

[Same as KU9117 (for EU) except the followings]

| Ref. No. | Part No.   | Part Name                | Remarks |
|----------|------------|--------------------------|---------|
|          | 2020022008 | FUSE HOLDER              | 4       |
|          | 2050190036 | 3P NH CONNecTOR BASE     | 2       |
|          | 2050233032 | 3P EH CONNecTOR BASE     | 1       |
|          | 2050234031 | 3P EH SID CONNecTOR BASE | 3       |
|          | 2050190049 | 4P NH CONNecTOR BASE     | 2       |
|          | 2050233045 | 4P EH CONNecTOR BASE     | 1       |
|          | 2050234044 | 4P EH SID CONNecTOR BASE | 1       |
|          | 2050190052 | 5P NH CONNecTOR BASE     | 2       |
|          | 2050233058 | 5P EH CONNecTOR BASE     | 1       |
|          | 2050243022 | 2P WIRE HOLDER           | 9       |
|          | 2050243035 | 3P WIRE HOLDER           | 1       |
|          | 2050185041 | 4P WIRE HOLDER           | 1       |
|          | 2050243051 | 5P WIRE HOLDER           | 1       |
|          | 2050185054 | 5P WIRE HOLDER           | 2       |
|          | 2050243064 | 6P WIRE HOLDER           | 2       |
|          | 2050075067 | 6P WRAPPING TERMINAL     | 1       |
|          | 2050141001 | COMMON PLATE             | 1       |
|          | 2030241086 | 1P CONTACT ASS'Y         | 2       |
|          | 2030241028 | 1P CONTACT ASS'Y         | 2       |
|          | 4450057010 | CORD CLIP                | 2       |
|          | 2034429008 | 3P CONNECTOR CORD        | 1       |
|          | 2034431009 | 3P CONNECTOR CORD        | 1       |
|          | 2036204001 | 4P CONNECTOR CORD        | 1       |
|          | 2038190003 | 5P CONNECTOR CORD        | 1       |
|          | 2038191002 | 5P CONNECTOR CORD        | 1       |
|          | 2038192001 | 5P CONNECTOR CORD        | 1       |
|          | 2040196008 | 6P CONNECTOR CORD        | 1       |

| Ref. No.           | Part No.   | Part Name                   | Remarks |
|--------------------|------------|-----------------------------|---------|
| <b>RELAY</b>       |            |                             |         |
|                    | 2140041008 | RELAY (2) DELETE            | RL501   |
|                    | 2149003005 | RELAY (2) ADD               |         |
|                    | 2149005100 | RELAY (1) CHANGE            |         |
| <b>OTHER PARTS</b> |            |                             |         |
|                    | 2061039047 | FUSE 1.25A (2) DELETE       | R524    |
|                    | 2061015016 | FUSE (1.25A) (2) ADD        |         |
|                    | 5139181002 | FUSE LABEL (T1.25A) (2) ADD |         |
|                    | 2412377947 | RD14B2E101JNBST CHANGE      |         |

**KU9117D for E1**

[Same as KU9117 (for EU) except the followings]

| Ref. No.           | Part No.   | Part Name              | Remarks |
|--------------------|------------|------------------------|---------|
| <b>RELAY</b>       |            |                        |         |
|                    | 2140041008 | RELAY (2) DELETE       | RL501   |
|                    | 2149003005 | RELAY (2) ADD          |         |
|                    | 2149005100 | RELAY (1) CHANGE       |         |
| <b>OTHER PARTS</b> |            |                        |         |
|                    | 2061039047 | FUSE 1.25A (2) DELETE  | R524    |
|                    | 2061035025 | FUSE 1.25A (T) (2) ADD |         |
|                    | 2412377947 | RD14B2E101JNBST CHANGE |         |



### KU9118 P.S. UNIT PARTS LIST

| Ref. No.                    | Part No.   | Part Name               | Remarks            |
|-----------------------------|------------|-------------------------|--------------------|
| <b>SEMICONDUCTORS GROUP</b> |            |                         |                    |
| D001<br>002                 | 2760426003 | RM-4Y-LF-J1             |                    |
| D003                        | 2760424005 | 4D4B42 (LC1)            |                    |
| D004                        | 2760049011 | 1S2076A                 |                    |
| D005                        | 2760422007 | 1D4B41                  |                    |
| <b>RESISTORS GROUP</b>      |            |                         |                    |
| R001                        | 2430028003 | RW99=3FR22K             | 0.22Ω, 3W<br>±10%  |
| R002                        | 2440167022 | RS14B3F153JNBF          | 15kΩ, 3W,<br>±5%   |
| R003                        | 2432044014 | RW78A4A2R2K=            | 2.2Ω, 10W,<br>±10% |
| <b>CAPACITORS GROUP</b>     |            |                         |                    |
| AC001                       | 2538003014 | CK48E2GAC472M           | 4700pF/<br>400V AC |
| C003,<br>004                | 2544229002 | CE04W2A471M             | 470μF/100V         |
| <b>RELAY GROUP</b>          |            |                         |                    |
| RL001                       | 2149004004 | RELAY                   |                    |
| <b>OTHER PARTS GROUP</b>    |            |                         |                    |
| AF001,<br>002               | 2061051025 | FUSE 10A                | 2                  |
| AF003,<br>004               | 2061046027 | FUSE 5A                 | 2                  |
| AF005                       | 2061051025 | FUSE 10A                | 1                  |
|                             | 2020022008 | FUSE HOLDER             | 4                  |
|                             | EP-5870    | FUSE HOLDER             | 6                  |
|                             | 2050190036 | 3P NH CONNECTOR<br>BASE | 1                  |
|                             | 2050190049 | 4P NH CONNECTOR<br>BASE | 1                  |
|                             | 4450057007 | CORD CLIP               | 2                  |

### KU9118B for E2

[Same as KU9118 (for EU) except the followings]

| Ref. No.           | Part No.   | Part Name                            | Remarks |
|--------------------|------------|--------------------------------------|---------|
| <b>OTHER PARTS</b> |            |                                      |         |
| R003               | 2432044014 | RW78A4A2R2K=2.2Ω<br>10W, ±10% DELETE |         |
|                    | 2432044027 | RW78A4A4R7K=4.7Ω<br>10W, ±10% ADD    |         |
| <b>OTHER PARTS</b> |            |                                      |         |
|                    | EP-5870    | FUSE HOLDER (6)<br>DELETE            |         |
|                    | 2061046027 | FUSE 5A (2) DELETE                   |         |
|                    | 2061051025 | FUSE 10A (3) DELETE                  |         |
|                    | 2061015090 | FUSE (5A) (3) ADD                    |         |
|                    | 2061036011 | FUSE (6.3A) (2) ADD                  |         |
|                    | 5130654020 | FUSE LABEL (T5.0A)<br>(2) ADD        |         |
|                    | 5130654091 | FUSE LABEL (T6.3A)<br>(3) ADD        |         |
|                    | 2020022008 | FUSE HOLDER (10)<br>ADD              |         |

### KU9118D for E1

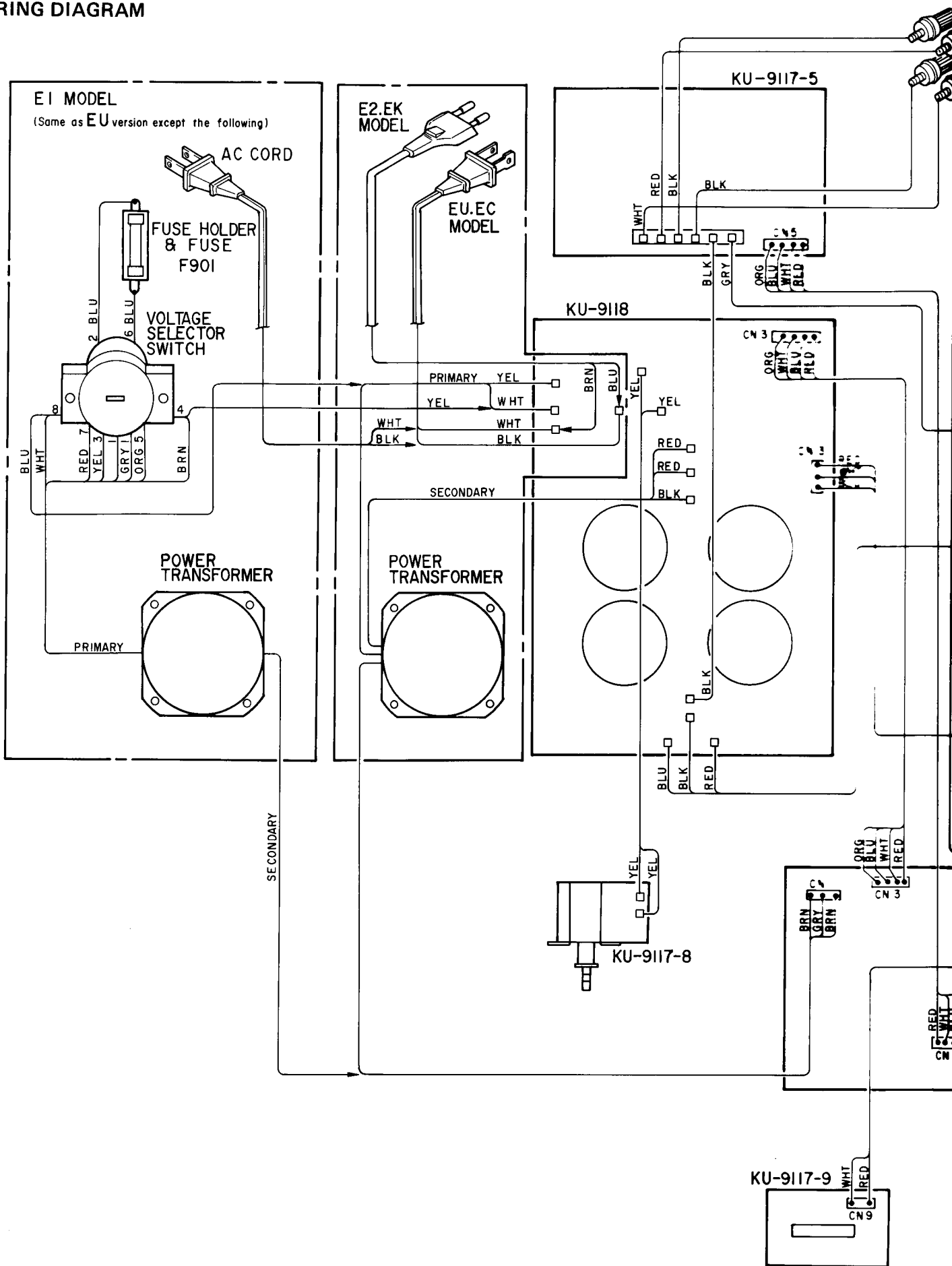
[Same as KU9118 (for EU) except the followings]

| Ref. No.           | Part No.   | Part Name                 | Remarks |
|--------------------|------------|---------------------------|---------|
| <b>OTHER PARTS</b> |            |                           |         |
|                    | 2061046027 | FUSE 5A (2) DELETE        |         |
|                    | 2061051025 | FUSE 10A (3) DELETE       |         |
|                    | 2061017043 | FUSE 12A (1) ADD          |         |
|                    | 2061035012 | FUSE 5A (T) (2) ADD       |         |
|                    | 2061035096 | FUSE 10A (2) ADD          |         |
|                    | EP-5870    | FUSE HOLDER (6)<br>DELETE |         |
|                    | 2020022008 | FUSE HOLDER (10)<br>ADD   |         |





WIRING DIAGRAM



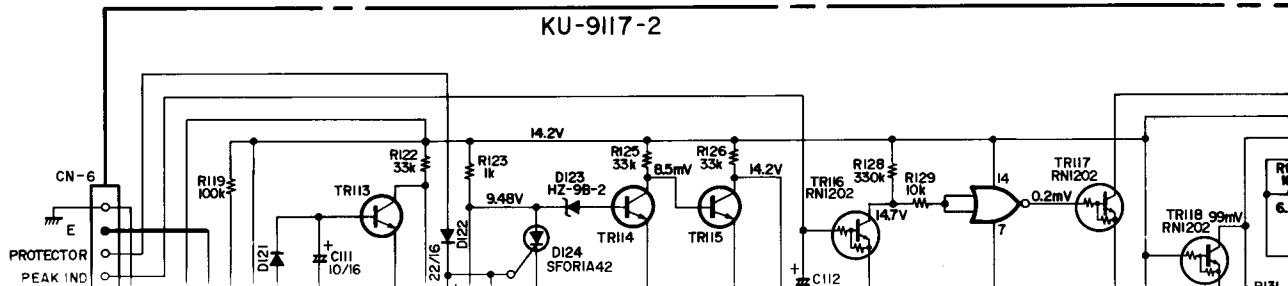
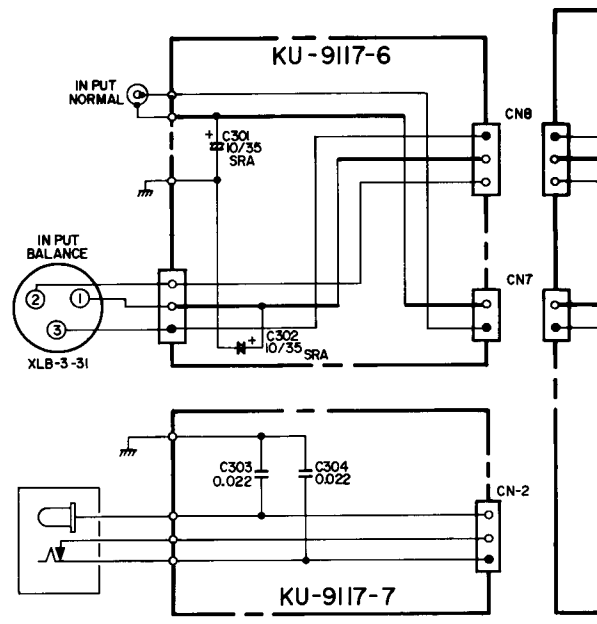
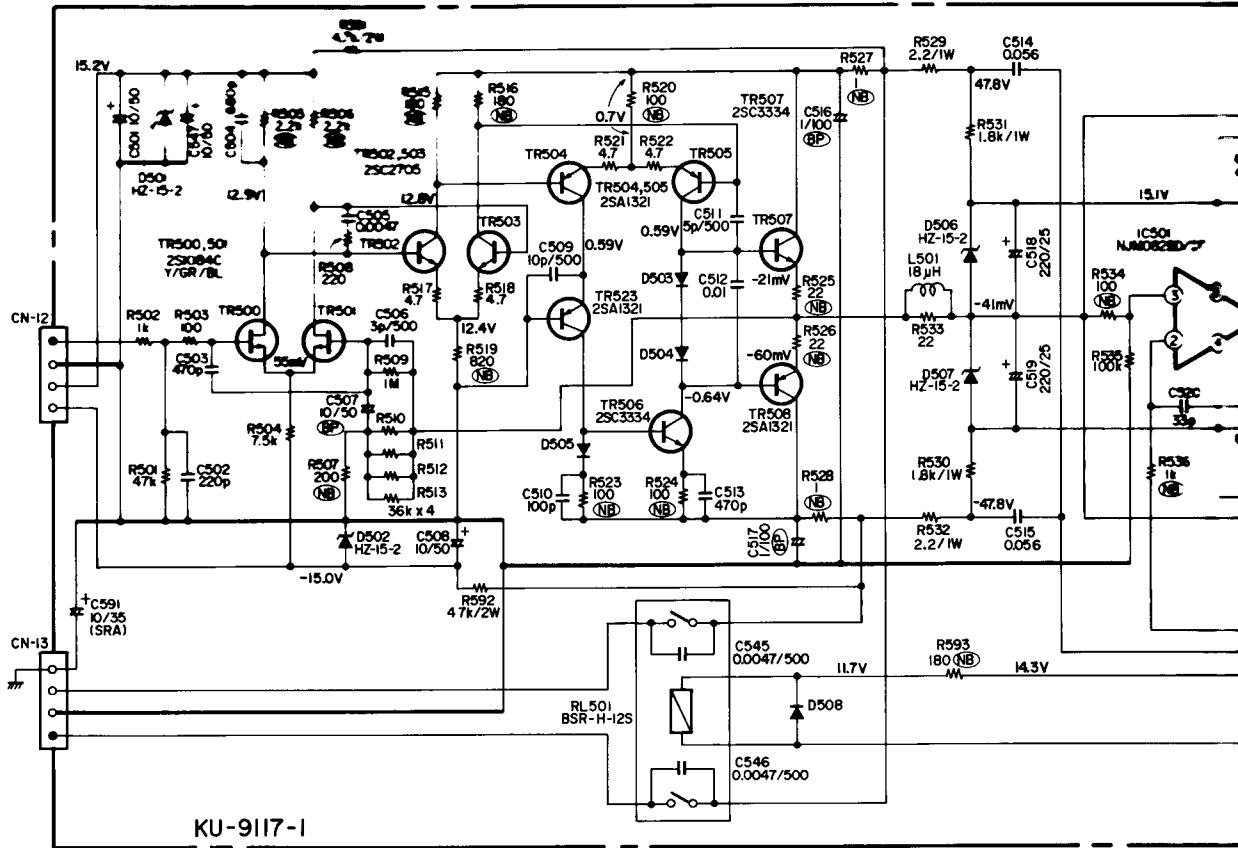


# SCHEMATIC DIAGRAM

1

2

3





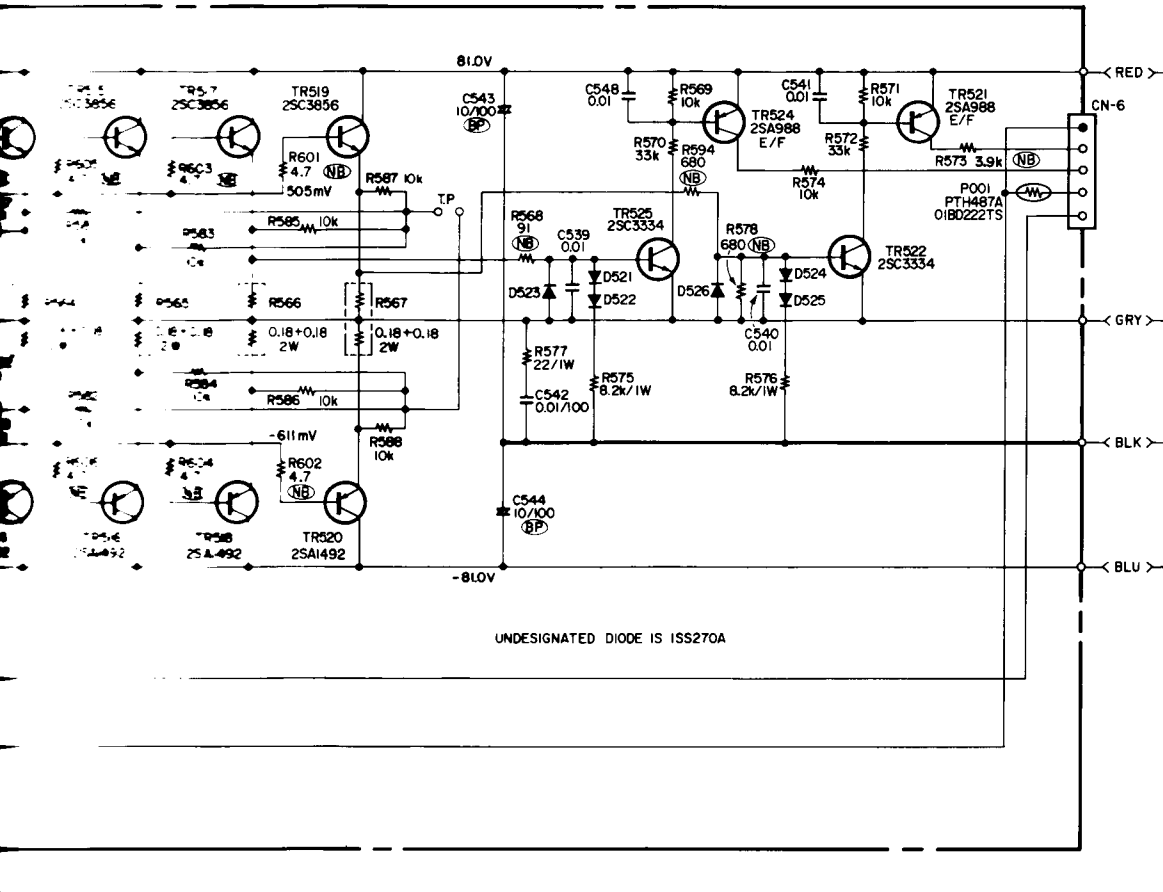
⚠️ Means important safety item, which must be replaced, when necessary, by a part specified or meeting the specification by the manufacturer.

7

8

9

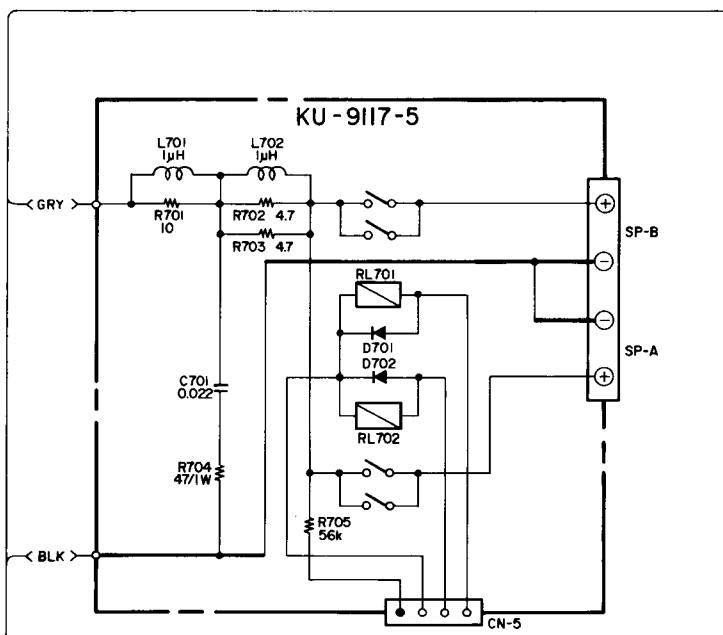
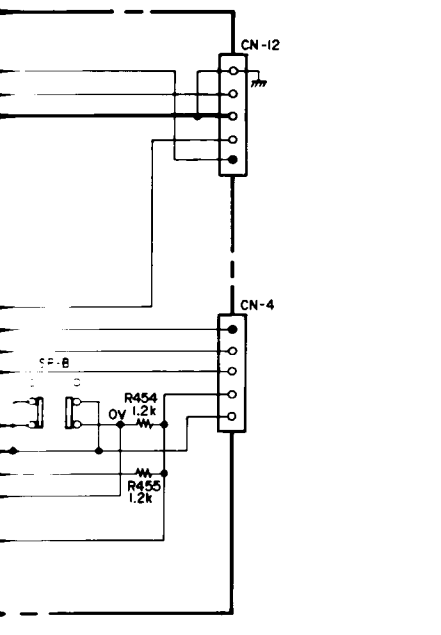
10



A

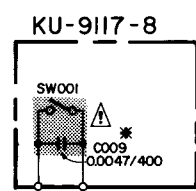
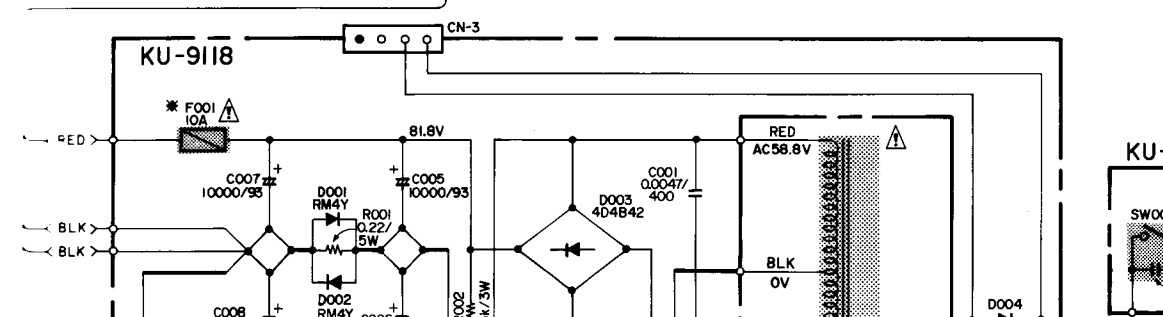
B

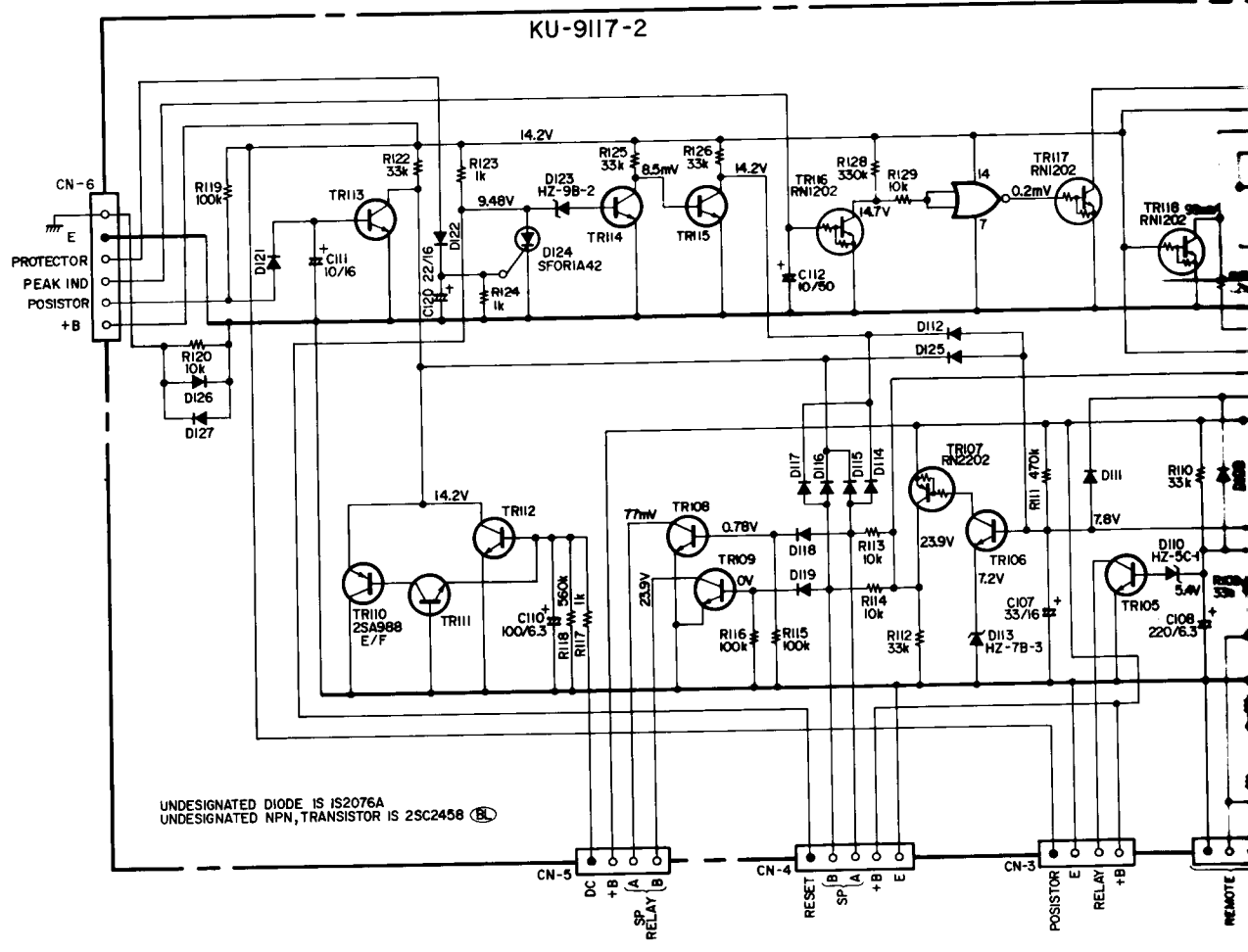
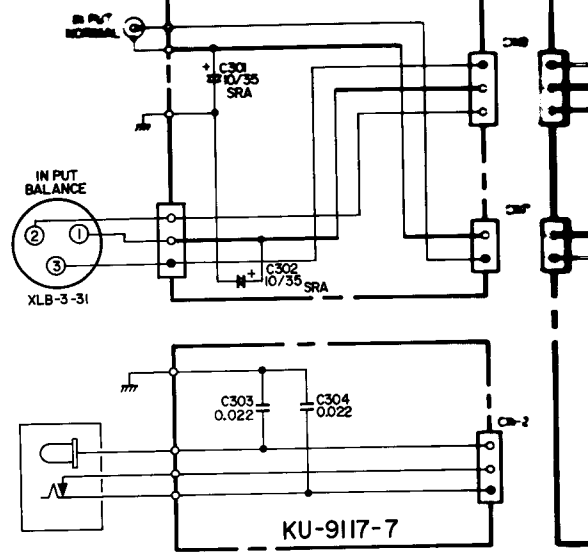
C



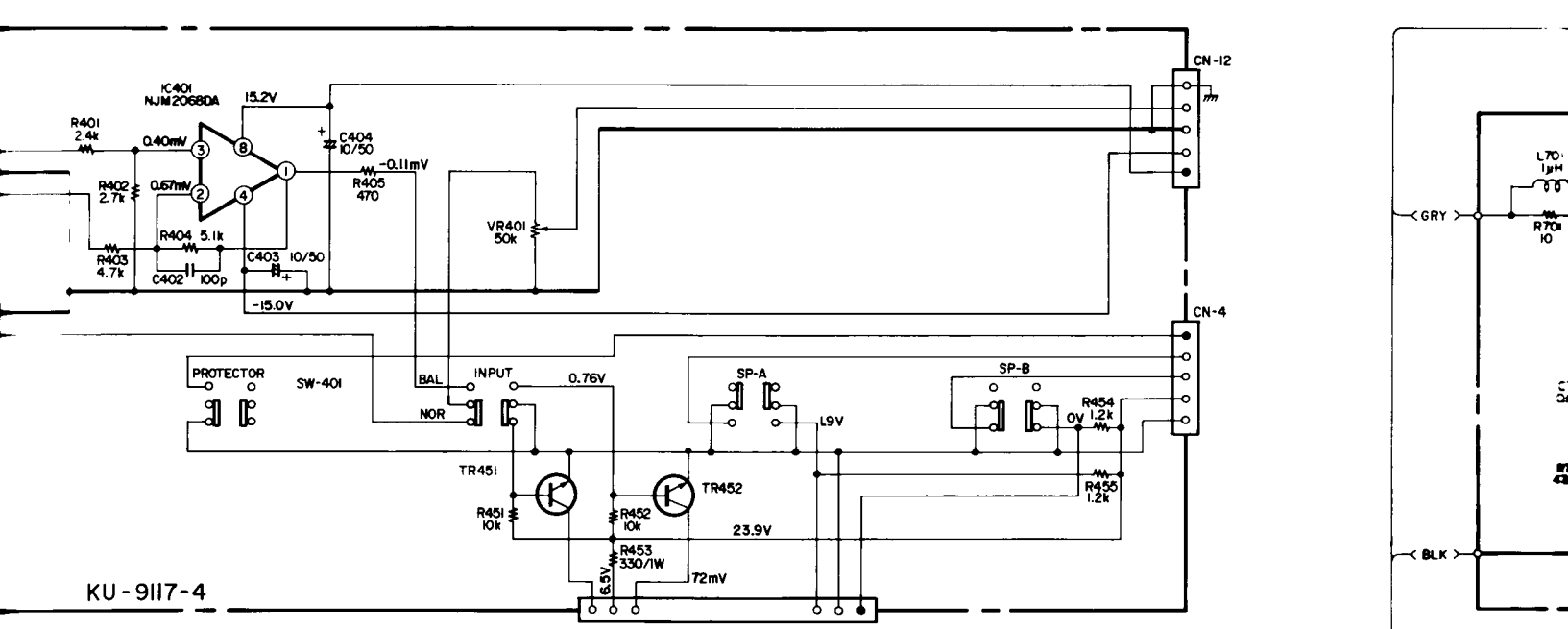
D

E

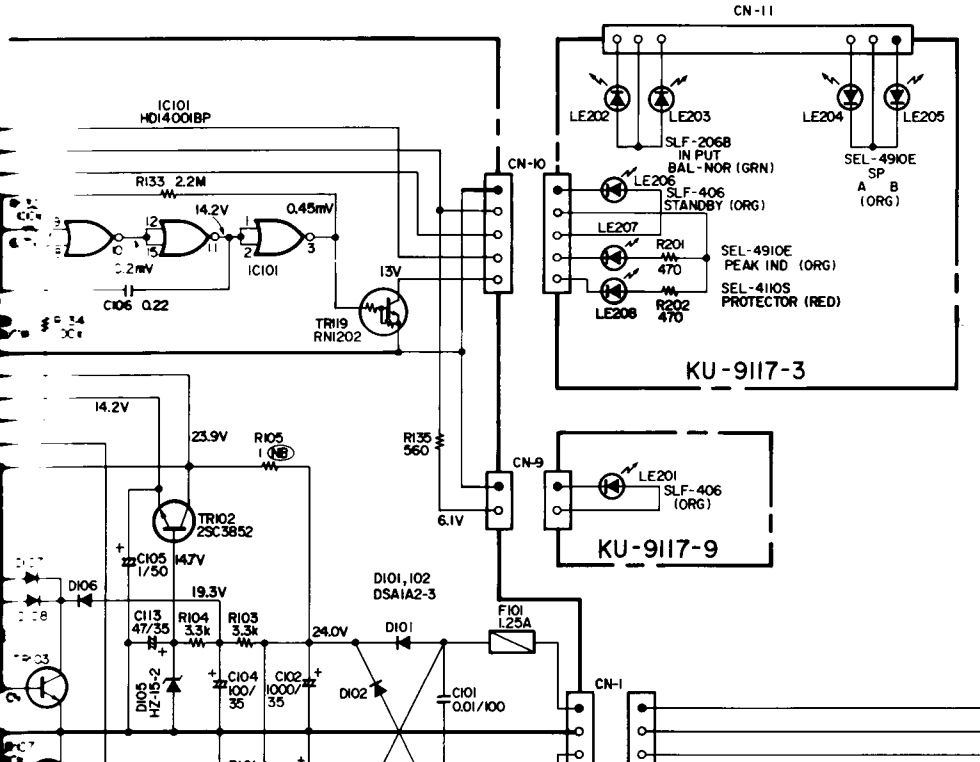




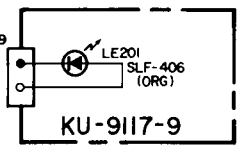
UNDESIGNATED DIODE IS IS2076A  
 UNDESIGNATED NPN, TRANSISTOR IS 2SC2458 (B)



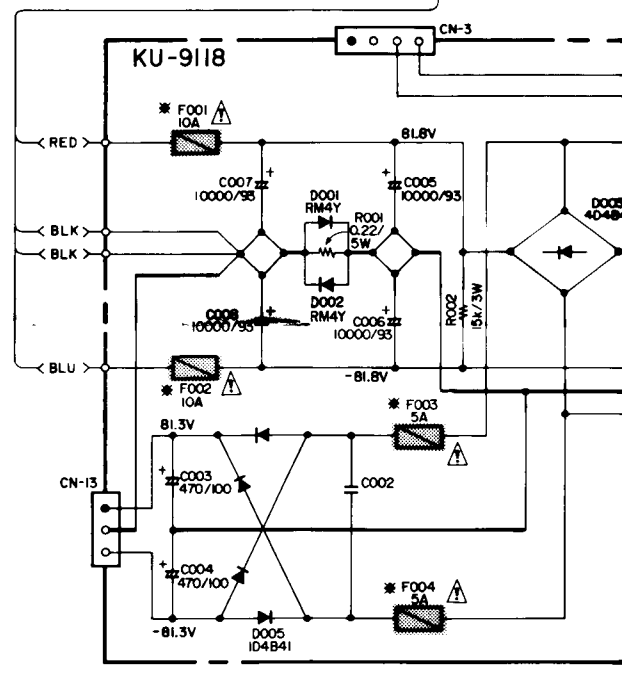
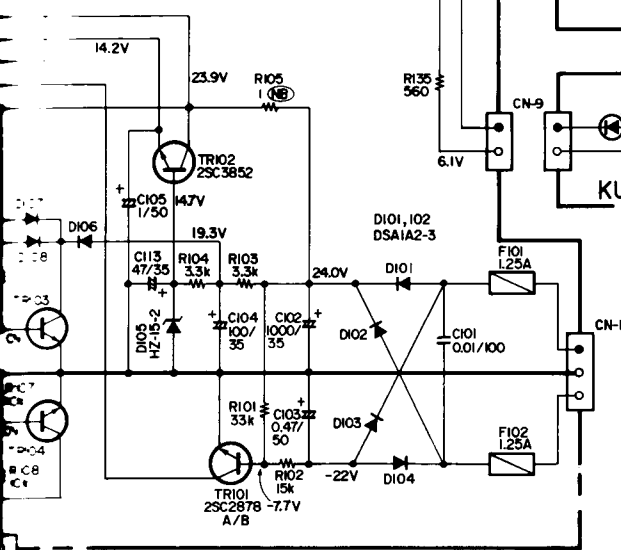
KU-9117-4



KU-9117-3



KU-9117-9



KU-9118

\* CONDENSER

|    | CO10           | CO09          |
|----|----------------|---------------|
| EU | NOT Applicable | 0.0047 125V ~ |
| E2 | 0.01 250V ~    | 0.0047 400V ~ |

\* FUSE

|    | F001,002     | F003,004   | F005       |
|----|--------------|------------|------------|
| EU | 10A 125V ~   | 5A 125V ~  | 10A 125V ~ |
| E2 | T6.3A 250V ~ | T5A 250V ~ | T5A 250V ~ |

\* RESISTANCE

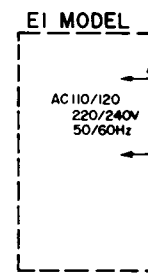
|    | R003    |
|----|---------|
| EU | 2.2/10W |
| E2 | 4.7/10W |

POWER TRANS.

| Version | Part NO.   |
|---------|------------|
| EU      | 2339572003 |
| E2      | 2339575000 |
| E1      | 2339576009 |

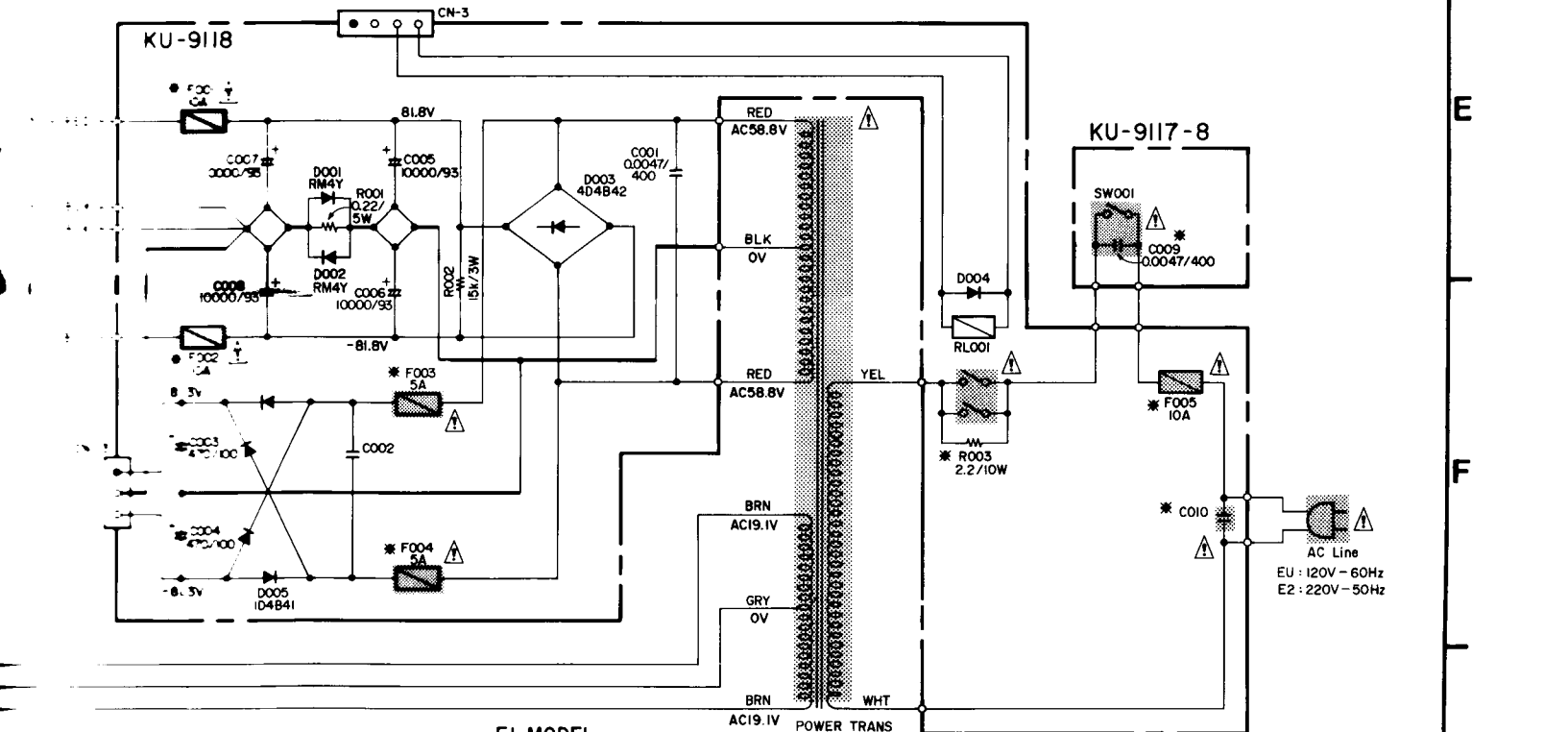
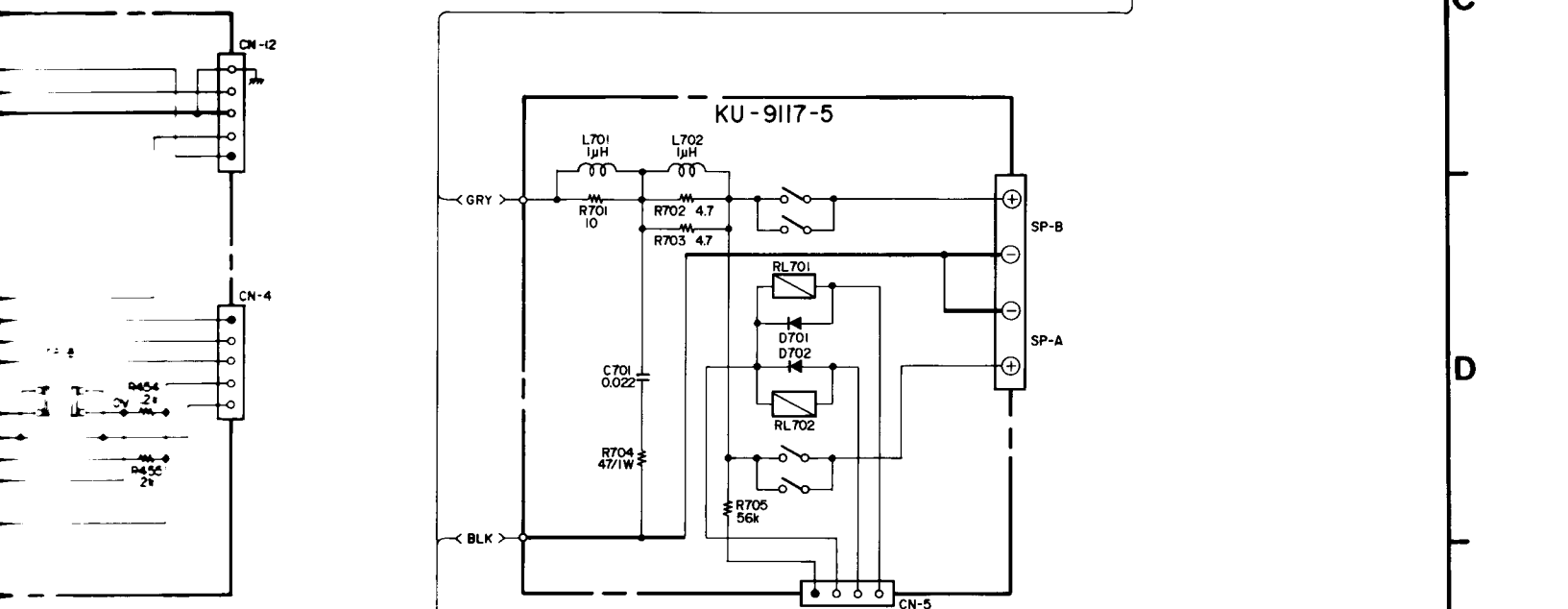
\* D512, 513

|    |         |
|----|---------|
| EU | HZ-7B-3 |
| E2 | HZ-5C-1 |
| E1 | HZ-5C-1 |



NO  
AL  
AL  
EA  
CIP

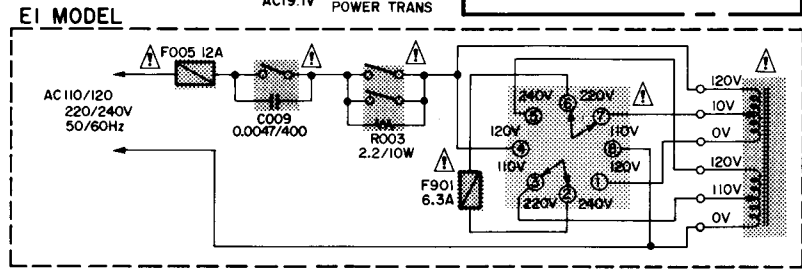




|         |         |          |
|---------|---------|----------|
| F001    | F004    | F005     |
| 1A 25V~ | 1A 25V~ | 10A 25V~ |
| 1A 25V~ | 1A 25V~ | 5A 250V~ |

|            |
|------------|
| 2339572003 |
| 2339575000 |
| 2339576009 |



NOTES  
 ALL RESISTANCE VALUES IN OHM K = 1,000 OHM M = 1,000,000 OHM  
 ALL CAPACITANCE VALUES IN MICRO FARAD P = MICRO-MICRO FARAD  
 EACH VOLTAGE AND CURRENT ARE MEASURED AT NO SIGNAL INPUT CONDITION.  
 CIRCUIT AND PARTS ARE SUBJECT TO CHANGE WITHOUT PRIOR NOTICE.

EXPLODED VIEW OF CHASSIS AND CABINET & PARTS LIST

1

2

3

4

EXPLODED VIEW OF CHASSIS AND CABINET

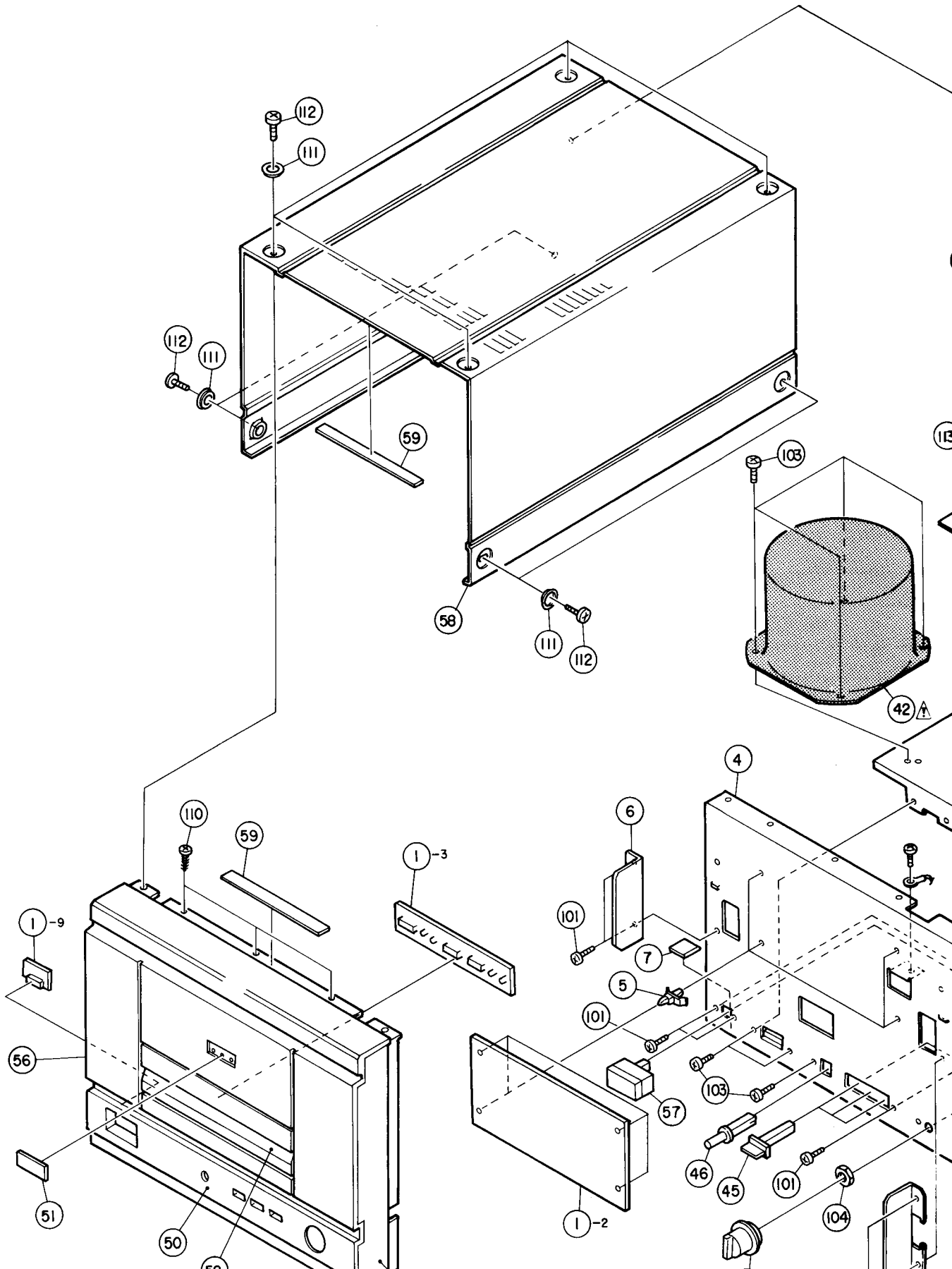
A

B

C

D

E



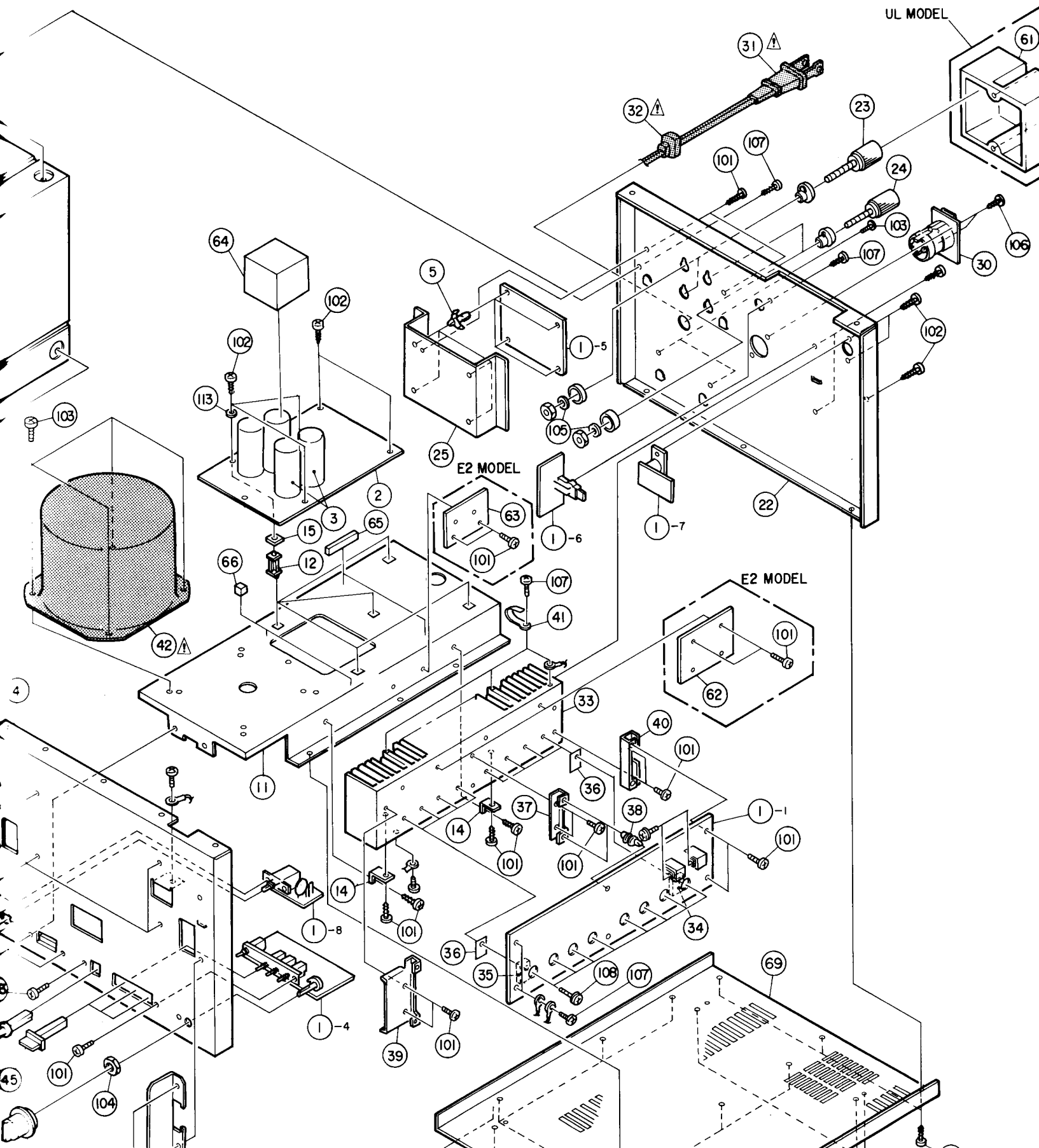
4

5

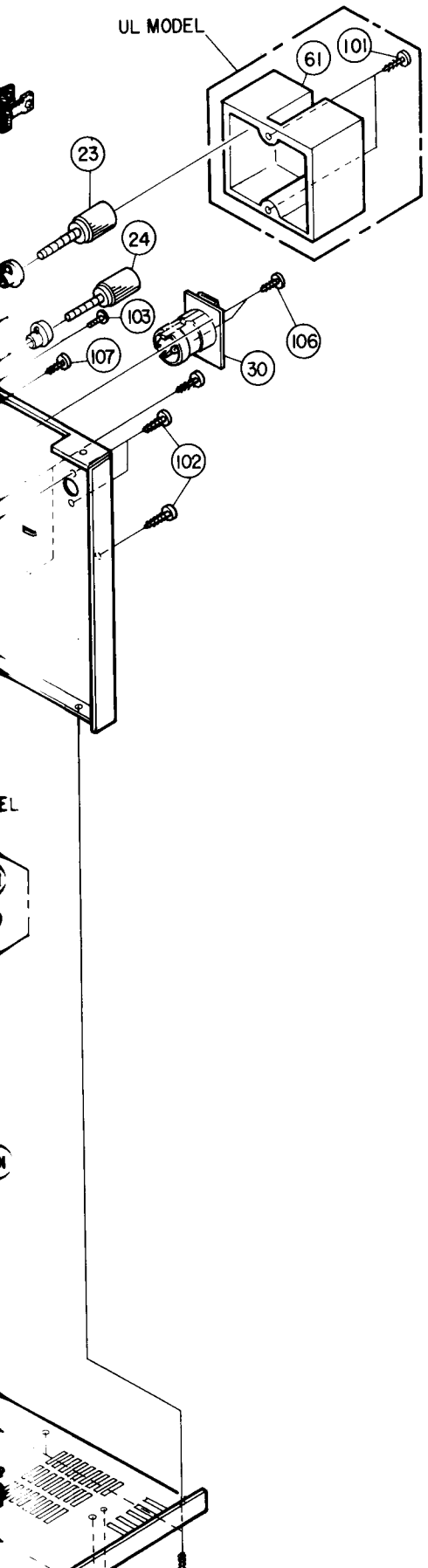
6

7

⚠ Means important safety item, which must be when necessary, by a part specified or meeting the spec by the manufacturer.



Important safety item, which must be replaced,  
 by a part specified or meeting the specification  
 refer.



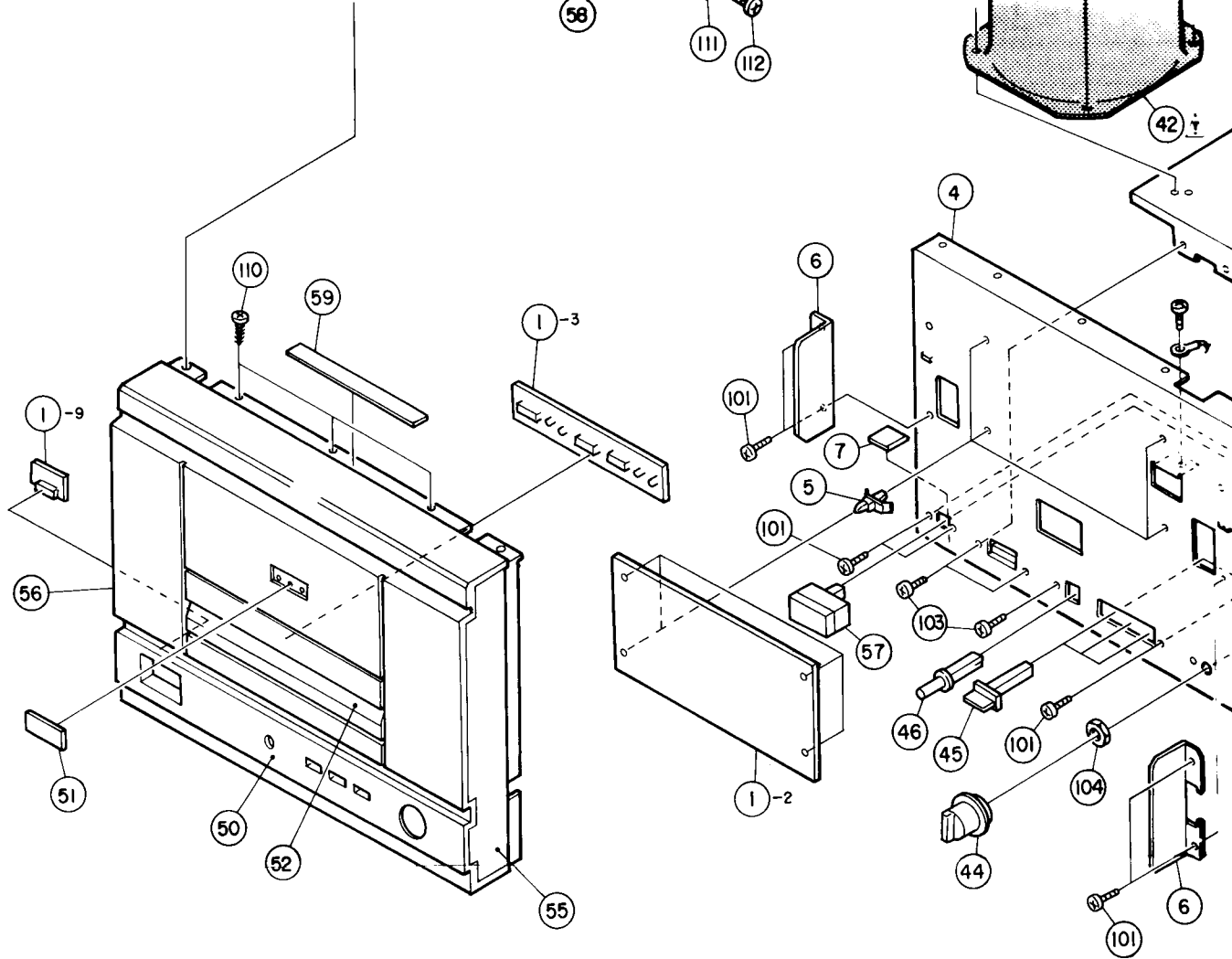
### PARTS LIST OF EXPLODED VIEW

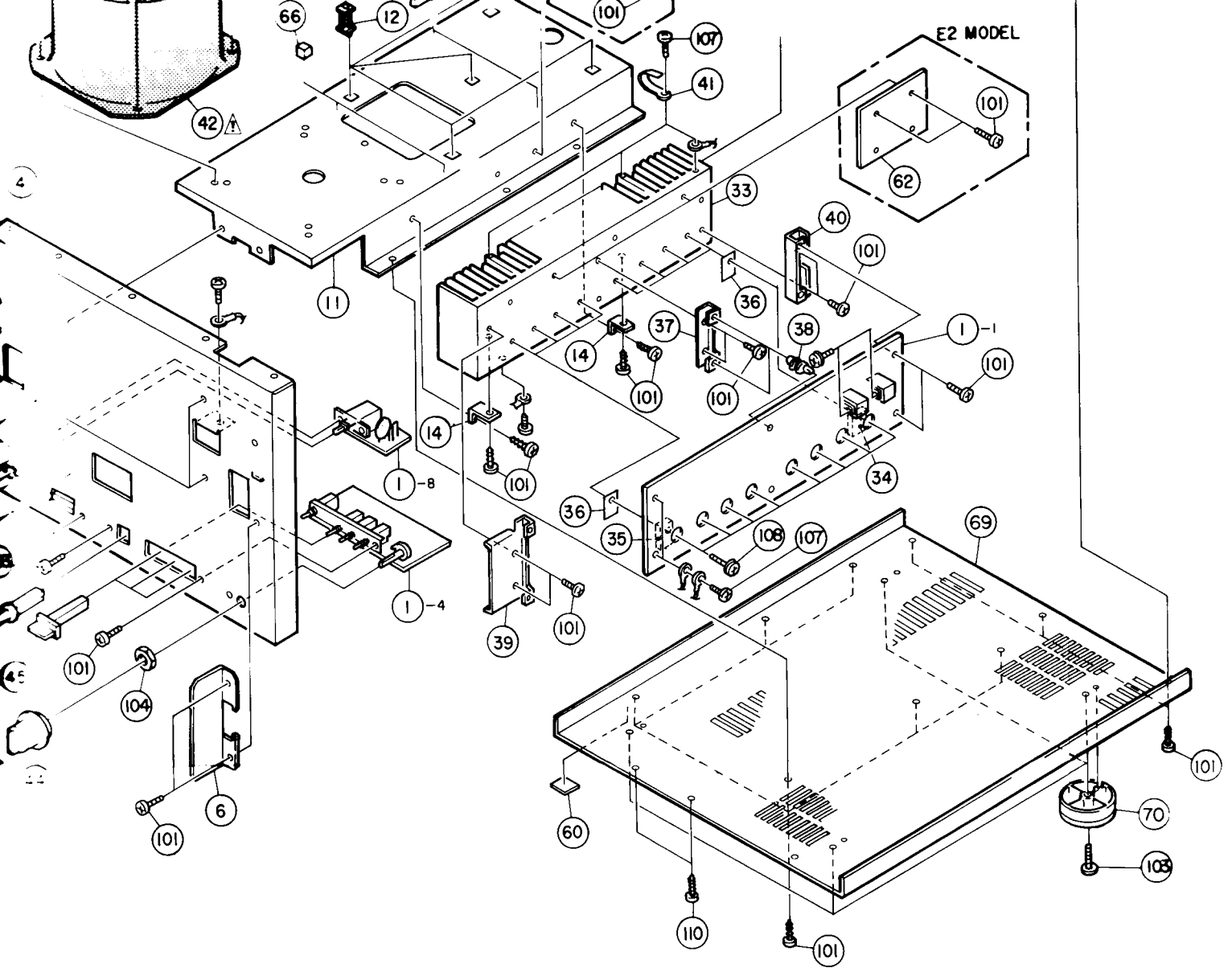
| Ref. No. | Part No.   | Part Name                | Remarks    |
|----------|------------|--------------------------|------------|
| * 1      | KU9117     | POWER UNIT               | 1          |
| * 2      | KU9118     | P.S. UNIT                | 1          |
| 3        | 2546122000 | CE68W==103M<br>10,000μF  | 4 C005~008 |
| 4        | 4119051108 | FRONT CHASSIS            | 1          |
| * 5      | 4159016019 | P.C.B HOLDER             | 8          |
| 6        | 4129132101 | BRACKET                  | 2          |
| * 7      | 4150210005 | INSULATING SHEET         | 1          |
| * 8      | 2034433007 | 3P CONNECTOR CORD        | 1          |
| * 9      | 2036202003 | 4P CONNECTOR CORD        | 1          |
| * 10     | 2036203002 | 4P CONNECTOR CORD        | 1          |
| * 11     | 4119052107 | TRANS. CHASSIS           | 1          |
| 12       | 4159032006 | P.C.B HOLDER (T)         | 5          |
| 14       | 4129059019 | BRACKET                  | 2          |
| * 15     | 4159018017 | INSULATING SHEET         | 3          |
| * 16     | 2034430000 | 3P CONNECTOR CORD        | 1          |
| * 17     | 2034432008 | 3P CONNECTOR CORD        | 1          |
| * 18     | 2036204001 | 4P CONNECTOR CORD        | 1          |
| * 19     | 2090247088 | VINYL WIRE               | 2          |
| * 20     | 5139182014 | FUSE LABEL               | 1          |
| * 21     | 2090206032 | D.I. WIRE                | 1          |
| * 22     | 1059094008 | BACK PANEL               | 1          |
| * 23     | 2050115008 | 1P TERMINAL (BLACK)      | 2          |
| * 24     | 2050115011 | 1P TERMINAL (RED)        | 2          |
| * 25     | 4129138105 | BRACKET (SP)             | 1          |
| * 26     | 2090247075 | VINYL WIRE               | 1          |
| * 27     | 2090247020 | VINYL WIRE               | 1          |
| * 28     | 2090247033 | VINYL WIRE               | 1          |
| * 29     | 2090247046 | VINYL WIRE               | 1          |
| 30       | 2050416008 | 3P CANNON CON-<br>NECTOR | 1          |
| * Δ 31   | 2062039004 | AC CORD (POLAR-<br>IZED) | 1          |
| Δ 32     | 4460020005 | CORD BUSH (4k-4)         | 1          |
| 33       | 4179032303 | POWER RADIATOR           | 1          |
| 34       | 2710221009 | 2SA1492LB O/P/Y          | 4          |
| 35       | 2730355007 | 2SC3856LB O/P/Y          | 4          |
| 36       | 4150234007 | INSULATING SHEET         | 8          |
| 37       | 4129137106 | PWB SUPPORT<br>BRACKET   | 1          |
| 38       | 4159033005 | P.C.B HOLDER (R)         | 2          |
| 39       | 4129130103 | RADIATOR BRACKET<br>(F)  | 1          |
| 40       | 4129131102 | RADIATOR BRACKET<br>(B)  | 1          |
| 41       | 4450048016 | CORD HOLDER (L50)        | 3          |
| * Δ 42   | 2339572003 | POWER TRANS.             | 1          |
| * 43     | 4450033005 | WIRE CLAMP BAND          | 10         |
| 44       | 1129041004 | KNOB                     | 1          |
| 45       | 1139151007 | PUSH KNOB                | 3          |
| 46       | 1139087100 | PUSH KNOB<br>(PROTECTOR) | 1          |
| * 47     | 5139182001 | FUSE LABEL               | 1          |
| * 48     | 5139182027 | FUSE LABEL               | 1          |
| * 49     | 5139182030 | FUSE LABEL               | 1          |
| 50       | 1449062006 | FRONT PANEL              | 1          |
| 51       | 1319005203 | DENON MARK               | 1          |
| 52       | 1469122007 | ESC BASE ASS'Y           | 1          |

D

E

F

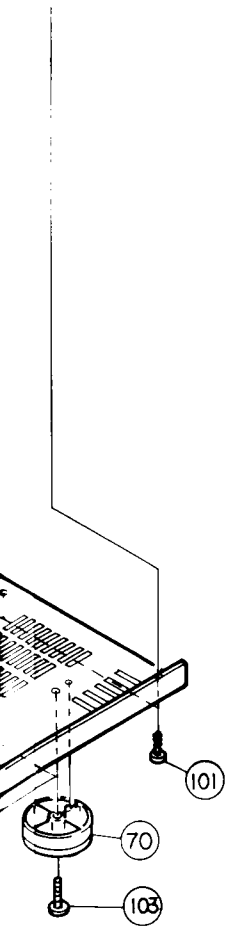




**PACKING & ACCESSORIES**  
(not included EXPLODED VIEW)

| Ref. No. | Part No.   | Part Name         | Remarks |
|----------|------------|-------------------|---------|
| 201      | 5049102003 | STYLEN PAPER      | 1       |
| 202      | 5050075051 | CABINET COVER     | 1       |
| 203      | 5039150007 | CUSHION           | 2       |
| 204      | 5019128062 | CARTON CASE       | 1       |
| 205      | 5058006019 | ENVELOPE          | 1       |
| 206      | 5119223003 | INST MANUAL       | 1       |
| 207      | 2034442001 | REMOTE PLUG CORD  | 1       |
| *208     | 5150418000 | DAI WARRANTY HOME | 1       |

| Ref. No.                 | Part No.   | Part Name                     |
|--------------------------|------------|-------------------------------|
| <b>SCREWS &amp; NUTS</b> |            |                               |
| * 101                    | 4737002034 | TAPTIGHT SCREW<br>3x6 BLACK   |
| * 102                    | 4737500044 | TAPTIGHT SCREW<br>3x8 BLACK   |
| 103                      | 4737007000 | TAPTIGHT SCREW<br>4x8 BLACK   |
| 104                      | -          | NUT M7                        |
| * 105                    | 4752005003 | φ5 SPRING WASHER              |
| 106                      | 4737012008 | TAPPING SCREW<br>3 x 10       |
| * 107                    | 4770064107 | FIXING SCREW                  |
| 108                      | 4738007009 | CUP SCREW 3x12                |
| 110                      | 4737002021 | TAPTIGHT SCREW<br>3 x 8 BLACK |
| 111                      | 1469116000 | SCREW CUP                     |
| 112                      | 4737007013 | TAPTIGHT SCREW<br>4x10 BLACK  |
| 113                      | 4419025009 | PLATE (WA)                    |



|        |            |                          |    |
|--------|------------|--------------------------|----|
| 30     | 2050416008 | 3P CANNON CON-<br>NECTOR | 1  |
| 33     | 4179032303 | POWER RADIATOR           | 1  |
| 34     | 2710221009 | 2SA1492LB O/P/Y          | 4  |
| 35     | 2730355007 | 2SC3856LB O/P/Y          | 4  |
| 36     | 4150234007 | INSULATING SHEET         | 8  |
| 37     | 4129137106 | PWB SUPPORT<br>BRACKET   | 1  |
| 38     | 4159033005 | P.C.B HOLDER (R)         | 2  |
| 39     | 4129130103 | RADIATOR BRACKET<br>(F)  | 1  |
| 40     | 4129131102 | RADIATOR BRACKET<br>(B)  | 1  |
| 41     | 4450048016 | CORD HOLDER (L50)        | 3  |
| * Δ 42 | 2339572003 | POWER TRANS.             | 1  |
| *43    | 4450033005 | WIRE CLAMP BAND          | 10 |
| 44     | 1129041004 | KNOB                     | 1  |
| 45     | 1139151007 | PUSH KNOB                | 3  |
| 46     | 1139087100 | PUSH KNOB<br>(PROTECTOR) | 1  |
| * *47  | 5139182001 | FUSE LABEL               | 1  |
| * *48  | 5139182027 | FUSE LABEL               | 1  |
| * *49  | 5139182030 | FUSE LABEL               | 1  |
| 50     | 1449062006 | FRONT PANEL              | 1  |
| 51     | 1319005203 | DENON MARK               | 1  |
| 52     | 1469122007 | ESC BASE ASS'Y           | 1  |
| *53    | 1149008001 | KNOB GUIDE               | 1  |
| *54    | 1469121008 | KNOB GUIDE(P) ASS'Y      | 1  |
| 55     | 1469119007 | SIDE ESC PLATE (R)       | 1  |
| 56     | 1469120009 | SIDE ESC PLATE (L)       | 1  |
| 57     | 1139152006 | PUSH KNOB (P) ASS'Y      | 1  |
| 58     | 1029024105 | TOP COVER                | 1  |
| 59     | 1229006017 | SPACER                   | 2  |
| * 60   | 5138266009 | DANGEROUS MARK           | 1  |
| 61     | 1469124005 | PROTECTOR                | 1  |
| 62     | 4179033001 | RADIATOR                 | 2  |
| 63     | 4129148001 | PLATE                    | 1  |
| 64     | 4619013028 | CUSHION                  | 1  |
| 65     | 4619013015 | CUSHION                  | 2  |
| 66     | 4619013002 | CUSHION                  | 2  |
| *67    | 2090248003 | TWIST WIRE               | 1  |
| *68    | 2090206029 | D.I. WIRE                | 1  |
| 69     | 1059092107 | BOTTOM COVER             | 1  |
| 70     | 1040151109 | FOOT ASS'Y               | 4  |

| Part No.                 | Part Name                         | Remarks |
|--------------------------|-----------------------------------|---------|
| <b>SCREWS &amp; NUTS</b> |                                   |         |
| 737002034                | TAPTIGHT SCREW(S)<br>3x6 BLACK    | 32      |
| 737500044                | TAPTIGHT SCREW (P)<br>3x8 BLACK   | 7       |
| 737007000                | TAPTIGHT SCREW (S)<br>4x8 BLACK   | 12      |
| -                        | NUT M7                            | 1       |
| 752005003                | φ5 SPRING WASHER                  | 4       |
| 737012008                | TAPPING SCREW (S)<br>3 x 10       | 2       |
| 770064107                | FIXING SCREW                      | 10      |
| 738007009                | CUP SCREW 3x12                    | 8       |
| 737002021                | TAPTIGHT SCREW (S)<br>3 x 8 BLACK | 6       |
| 469116000                | SCREW CUP                         | 8       |
| 737007013                | TAPTIGHT SCREW (S)<br>4x10 BLACK  | 8       |
| 419025009                | PLATE (WA)                        | 3       |

## ADDENDUM LIST


| Ref. No. | Part Name & Descriptions    | Part No.        |                 |  |
|----------|-----------------------------|-----------------|-----------------|--|
|          |                             | E1 for Asia     | E2 for Europe   |  |
| 1        | POWER UNIT                  | KU9117D         | KU9117B         |  |
| 2        | PS UNIT                     | KU9118D         | KU9118B         |  |
| 3        | FUSE HOLDER                 | 4159016019(4)   | 4159016019(4)   |  |
| 4        | INSULATING SHEET            | 4150210005(2)   | 4150210005(1)   |  |
| 11       | TRANS CHASSIS               | 4119052204      | 4119052107      |  |
| 13       | INSULATING SHEET            | 4159018004(3)   | —               |  |
| 19       | WIRE                        | —               | —               |  |
| 20       | FUSE LABEL                  | —               | —               |  |
| 21       | BACK PANEL                  | 1059098004      | 1059096006      |  |
| 22       | 4P TERMINAL (BLACK)         | —               | —               |  |
| 24       | 4P TERMINAL (RED)           | —               | —               |  |
| 25       | BRACKET (SP)                | —               | —               |  |
|          |                             | 2006031026      | 2062002031      |  |
|          |                             | 2306570000      | 2336670000      |  |
| *47      | FUSE LABEL                  | —               | —               |  |
| *48      | FUSE LABEL                  | —               | —               |  |
| *49      | FUSE LABEL                  | —               | —               |  |
| *50      | DANGEROUS MARK              | —               | —               |  |
| 71       | 3P CANNON PLUG CORD         | —               | 2034451005      |  |
| 72       | 4P TERMINAL                 | 2050316001      | 2050316001      |  |
| 73       | WIRE                        | 2090206003 (2)  | 2090206003 (2)  |  |
| 74       | PROTECTOR SHEET             | 4159014105      | 4159014105      |  |
| 75       | CONTROL CARD                | —               | 5131167008      |  |
| 76       | COLOR LABEL (BLACK)         | —               | 5139111014 (2)  |  |
| 77       | BLIND SHEET (FTZ)           | —               | 5139132006      |  |
| 78       | VOLTAGE SEL SWITCH          | 2129555007      | —               |  |
| 79       | FUSE HOLDER                 | 2020013101      | —               |  |
| 80       | FUSE BOARD                  | 2061035038      | —               |  |
| *81      | FUSE LABEL T6.3A            | 5130654091      | —               |  |
| 101      | TAPTIGHT SCREW(S) 3x6 BLACK | 4737002034 (35) | 4737002034 (32) |  |
| 102      | TAPTIGHT SCREW(S) 3x8 BLACK | 4737500044 (9)  | 4737500044 (9)  |  |
| 106      | SPRING WASHER               | —               | —               |  |
| 107      | FIXING SCREW                | 4770064107 (8)  | 4770064107 (8)  |  |
| 206      | DAI WARRANTY HOME           | —               | —               |  |

- Note 1 See addendum list above for the parts with asterisk (\*) on the Ref. No. and the other parts not included in the list.  
 2 \*marked not included EXPLODED VIEW OF CHASSIS AND CABINET.  
 3 This list is prepared based on EU BLACK VERSION.



## WARNING:

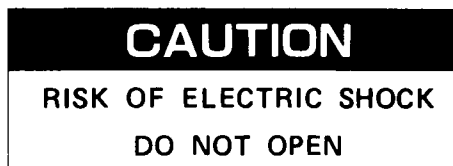
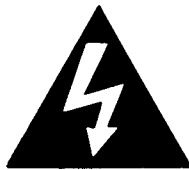
### 1. Component parts

Parts marked with  and/or shading in this service manual have special characteristics important to safety. Be sure to use the specified parts for replacement.

### 2. Leakage current

Before returning the appliance to customer, test the leakage current when the power plug is connected. Use a calibrated (with an error of not more than 5%) leakage current tester and measure the leakage current from any exposed metal to the earth ground. Reverse the power plug polarity and test the above again.

Any current measured **MUST NOT EXCEED 0.5 milliamps**. Corrective measure must be taken if it exceeds the limit.



**CAUTION: TO REDUCE THE RISK OF ELECTRIC SHOCK, DO NOT REMOVE COVER (OR BACK). NO USER SERVICEABLE PARTS INSIDE. REFER SERVICING TO QUALIFIED SERVICE PERSONNEL.**



The lightning flash with arrowhead symbol within an equilateral triangle is intended to alert the user of the presence of uninsulated "dangerous voltage" within the product's enclosure that may be of sufficient magnitude to constitute a risk of electric shock to persons.



The exclamation point within an equilateral triangle is intended to alert the user of the presence of important operating and maintenance (servicing) instructions in the literature accompanying the appliance.